



CNC TOOLING

Quality tooling at sensible prices



HIGH PERFORMANCE TOOLING
Available from our stock range

CNC 2021



ABOUT US

Welcome to Wealden's CNC catalogue, which represents our current range of CNC tooling and offers competitive pricing and many innovative solutions. All these cutters and tools are manufactured for and often designed by Wealden.

With over 35 years' of cutter, saw and profiling technology we are worth talking to if you have questions about these tools. Many of our most supportive customers came to us for advice and stay with us for price and service. Our quality is second to none.

Those new to CNC are sometimes daunted by the cost of tooling - and from some suppliers they are right to be. However, durability and long accurate run times are as important as economy when running a seriously expensive machine. To this end Wealden offer replaceable tipped tools in many forms. More expensive than disposable cutters initially, our replaceable tips are highly competitive and hugely cut costs, even in the short term.

For heavy duty CNC cutting and profiling we have solid carbide replaceable tips on phenomenally rigid tungsten alloy shanks. We know how to improve your productivity.

To meet the challenges of highly abrasive materials such as MDF, plywood, composites and other hard to machine materials, our range includes solid carbide, PCD and numerous spiral, compression and other more exotic solutions to our customers' problems.

Look at the range. Ask us questions. Try us out.

You'll be glad you did.



CONTACT US:

Telephone: **01580 890500**

Fax: **01580 890222**

Email: sales@wealdentool.com

Website: www.wealdentool.com

Wealden Tool Company Limited
2, Clinton Business Centre
Lodge Road
Staplehurst
Kent TN12 0QF



CONTENTS

Spirals			
Up Cut - STC	1	Ball Nose Roughing	36
Down Cut - STC	2	Vari-angle Head	37
Compression 2+2 flute - STC	3	Engraving V Bits	38
Compression 1+1 flute - STC	4	V Groove Engraving Swop-tip	39
Straight flute STC	4	V Groove Engraving Swop-tip	40
Ball End Up Cut - STC	5	V Groove Chamfer Swop-tip	41
Rougher Up Cut - STC	6	Ball Nose Profile	42
Finishing Chipbreaker Up Cut - STC	7	Arris Rounding / Ovolo	43
Finishing Chipbreaker Down Cut - STC	8	Cove Surfacing	44
Finishing 3 flute Up Cut - STC	9	Dish Panel Mould	45
Finishing 3 flute Down Cut - STC	10	Stair Trenching	46
Compression 2+2 flute DLC coated	11	Roughing/Hogging	47
Compression 3+3 flute DLC coated	12	Chamfer Plunge	48
Up & Down Cut DLC coated - STC	13	Handrail Ellipse	48
		Groovers & Arbors	49
Lock Pocket Mortice	14	Handleless Drawer/Door	50
		Under-cut Chamfer	51
Acrylic cutters		Adjustable Groover	52
Helical Flute Up Cut - STC	15	Aluminium Spiral Up Cut	53
Helical Flute Down Cut - STC	16		
Straight Flute - STC	17	PCD	
		Production Pro Spiral Compression	54
Plywood Two Flute	18	Performance Pro Spiral Compression	55
Carving Taper	19	Straight Two Flute	56
Down-shear Chamfer	19	Down-shear Two Flute	57
Easy-fix	20	Bookcase Strip Compression	58
		V Groove Engraving	59
Versofix		Drills	
Straight 1/2" shank	21	Dowel Drills	60
Straight 1/4" shank	22	Dowel Drills With Countersink	
Straight Lefthand Rotation	23	STC Lip & Spur	61
Straight one + one Flute	24	Multi-boring Drill Chucks	61
Straight Two Flute	25	Cylinder Boring Bits	62
Straight Two+Two Flutes	26		
Up Down Shear	27	Accessories	
Compression Swop-tip	28	ER Collets	63
Surfacing Rebating	29	OZ collets	64
Surface Trepanning	30	Tool Holder Assembly Device	64
Multi Profile Moulding Set	31	ER Collets - 4grip	65
Multi Profile Set	32	Tool Holders & Nuts	66
Multi Profile System	33	Pull Studs	67
Bull Nose	34	Wrenches	67
Ovolo Bead	35		

COPYRIGHT © 2021 Wealden Tool Company. No part of this publication may be transmitted or reproduced by any means without our express permission. All rights reserved.

Wealden Tool Company is a trading name of Wealden Tool Company Limited. Registered in England number 4697332

wealdentool.com

Sales: 01580 890500 Fax: 01580 890222 Email: sales@wealdentool.com



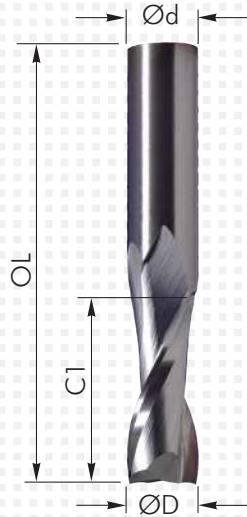


STC ROUTER CUTTERS

Upcut Spirals - STC

Up Cut Spirals are designed to pull chips up and away from the part being cut and, in addition, will prevent burning when plunge cutting. They deliver a very satisfactory cut with fast chip exit and removal. All cutters in this range have two cutting flutes.

Part Number	ØD mm	ØD inch	C1	Ød	OL
T1U3000	3.00	0.118	12.0mm	3.0mm	50.0mm
T1U3000L	3.00	0.118	12.0mm	3.0mm	64.0mm
T4U3000	3.00	0.118	12.0mm	1/4"	50.8mm
T4U3175	3.18	1/8	12.7mm	1/4"	50.8mm
T4U3967	3.97	5/32	12.7mm	1/4"	50.8mm
T4U4000	4.00	5/32	14.0mm	1/4"	50.8mm
T4U4762	4.76	3/16	19.0mm	1/4"	50.8mm
T1U5000B	5.00	0.197	22.0mm	5mm	64.0mm
T4U5000	5.00	0.197	19.0mm	1/4"	50.8mm
T8U5000	5.00	0.197	19.0mm	8mm	76.2mm
T4U6000	6.00	15/64	19.0mm	1/4"	50.8mm
T8U6000A	6.00	15/64	19.0mm	8mm	76.2mm
T8U6000B	6.00	15/64	25.0mm	8mm	76.2mm
T4U6350	6.35	1/4	25.4mm	1/4"	63.5mm
T2U7937	7.94	5/16	25.4mm	1/2"	76.2mm
T8U8000B	8.00	5/16	25.0mm	8mm	76.2mm
T8U8000C	8.00	5/16	32.0mm	8mm	76.2mm
T2U9525	9.53	3/8	31.7mm	1/2"	76.2mm
T2U1000B	10.00	25/64	32.0mm	1/2"	76.2mm
T2U1000L	10.00	25/64	40.0mm	1/2"	88.9mm
T2U1200C	12.00	15/32	38.0mm	1/2"	88.9mm
T2U1200L	12.00	15/32	54.0mm	1/2"	101.6mm
T2U1270A	12.70	1/2	31.7mm	1/2"	76.2mm
T2U1270C	12.70	1/2	38.1mm	1/2"	88.9mm
T2U1270E	12.70	1/2	50.8mm	1/2"	101.6mm
T2U1270G	12.70	1/2	65.0	1/2"	115.0mm
T7U214140B	14.00	9/16	42.0mm	14mm	90.0mm
T7U216160B	16.00	5/8	52.0mm	16mm	100.0mm



Ød = shank diameter
 ØD = cutting diameter
 OL = overall length
 C1 = blade length



wealdentool.com

Sales: 01580 890500 Fax: 01580 890222 Email: sales@wealdentool.com

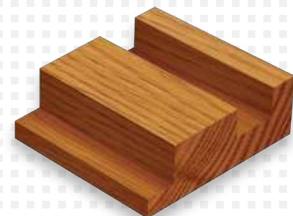


Downcut Spirals - STC

A range of high quality micro-grain solid carbide spiral downcut cutters for use in CNC machines. These specialist cutters offer high performance routing, with fine finish and high feed rates.

All cutters are two flute except item marked # which is single flute.

Part Number	ØD mm	ØD inch	C1	Ød	OL
T1D3000	3.00	0.118	12.0mm	3.0mm	50.0mm
T1D3000L	3.00	0.118	12.0mm	3.0mm	64.0mm
T4D3000	3.00	0.118	12.0mm	1/4"	50.8mm
T4D3175	3.18	1/8	12.7mm	1/4"	50.8mm
T4D3967	3.97	5/32	12.7mm	1/4"	50.8mm
T4D4000	4.00	5/32	14.0mm	1/4"	50.8mm
T4D4762	4.76	3/16	19.0mm	1/4"	50.8mm
T4D5000	5.00	0.197	19.0mm	1/4"	50.8mm
T8D5000	5.00	0.197	19.0mm	8mm	76.2mm
T4D6000	6.00	15/64	19.0mm	1/4"	50.8mm
T8D6000A	6.00	15/64	19.0mm	8mm	76.2mm
T8D6000B	6.00	15/64	25.0mm	8mm	76.2mm
T6D6000A	6.00	15/64	12.0mm	6mm	60.0mm
T6D6000	6.00	15/64	25.0mm	6mm	60.0mm
T4D6350	6.35	1/4	25.4mm	1/4"	63.5mm
T8D8000B	8.00	5/16	25.0mm	8mm	76.2mm
T8DS8000#	8.00	5/16	25.0mm	8mm	76.2mm
T8D8000C	8.00	5/16	32.0mm	8mm	76.2mm
T9D8500	8.50	0.335	20.0mm	10mm	76.2mm
T2D9525	9.53	3/8	31.7mm	1/2"	76.2mm
T2D1000B	10.00	25/64	32.0mm	1/2"	76.2mm
T2D1200C	12.00	15/32	38.0mm	1/2"	88.9mm
T2D1270	12.70	1/2	25.0mm	1/2"	68.0mm
T2D1270A	12.70	1/2	31.7mm	1/2"	76.2mm
T2D1270C	12.70	1/2	38.1mm	1/2"	88.9mm
T2D1270E	12.70	1/2	50.8mm	1/2"	101.6mm
T7D214140B	14.00	9/16	42.0mm	14mm	90.0mm
T7D216160B	16.00	5/8	52.0mm	16mm	100.0mm



Ød = shank diameter
 ØD = cutting diameter
 OL = overall length
 C1 = blade length





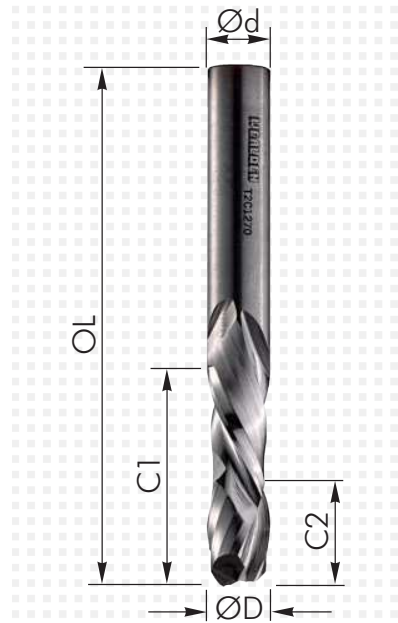
STC ROUTER CUTTERS

Compression Spirals - 2 + 2 flute

These two + two flute compression spirals have up and down shear cut on the same cutter. This provides down shear cutting on the top and up shear cutting on the bottom of boards.

The sizes with the suffix M are for thicker boards, allowing multiple passes, where the smaller up cut can be sunk into the board on the first pass to still give a down shear cut, and therefore a good finish, on the top surface. Ideal for edge trimming on double faced veneered boards, these cutters ensure a good finish on both faces of laminated and solid timber boards.

A limited range is available in LH (anti-clockwise) rotation.



Part Number	ØD mm	ØD inch	C1	Ød	OL	C2
RH rotation						
T1C3000	3.00	0.118	20mm	3mm	64.0mm	3.8mm
T1C4000	4.00	5/32	20mm	4mm	64.0mm	5.0mm
T1C5000M	5.00	0.197	20mm	5mm	64.0mm	3.0mm
T6C6000M	6.00	15/64	22mm	6mm	64.0mm	3.5mm
T4C6350	6.35	1/4	25mm	1/4"	64.0mm	6.0mm
T4C6350M	6.35	1/4	25mm	1/4"	64.0mm	3.5mm
T8C8000	8.00	5/16	25mm	8mm	70.0mm	7.0mm
T8C8000M	8.00	5/16	25mm	8mm	70.0mm	5.0mm
T3C9525	9.53	3/8	32mm	3/8"	76.2mm	12.0mm
T3C9525M	9.53	3/8	32mm	3/8"	76.2mm	5.0mm
T9C1000XM	10.00	25/64	12mm	10mm	70.0mm	2.0mm
T9C1000	10.00	25/64	35mm	10mm	80.0mm	9.0mm
T2C1270	12.70	1/2	42mm	1/2"	102.0mm	13.0mm
T2C1270M	12.70	1/2	25mm	1/2"	66.9mm	9.0mm
LH rotation						
T4CL6350M	6.35	1/4	25mm	1/4"	64.0mm	3.5mm

Ød = shank diameter
 ØD = cutting diameter
 OL = overall length
 C1 = blade length
 C2 = up cut area



wealdentool.com

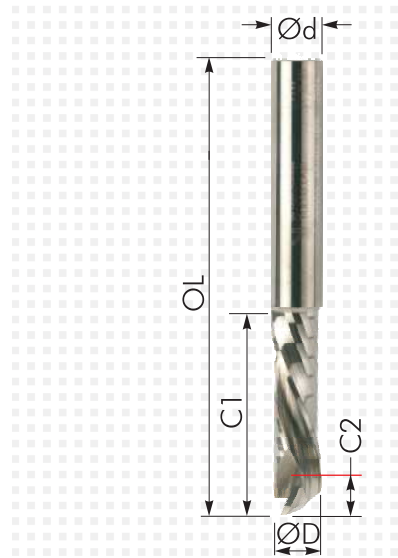
Sales: 01580 890500 Fax: 01580 890222 Email: sales@wealdentool.com



Single Flute Compression - 1 + 1 flute

A range of single flute compression cutters (1 downcut + 1 upcut flutes) which offer good flute clearance. For use when speed is of more importance than surface finish.

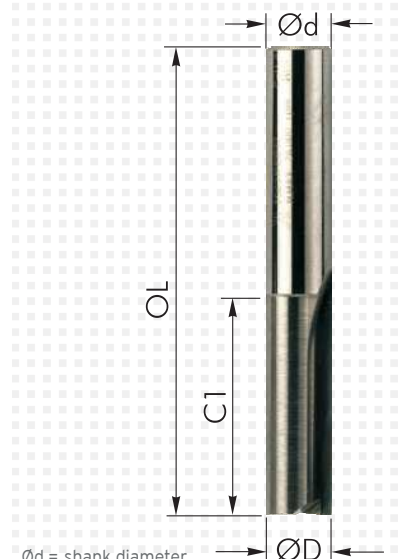
Part Number	ØD mm	C1	C2	Ød	OL	Flutes
TGC051745	5.00	17mm	4.5mm	5mm	60mm	1+1
TGC062250	6.00	22mm	5.0mm	6mm	60mm	1+1
TGC082260	8.00	22mm	6.0mm	8mm	70mm	1+1
TGC083260	8.00	32mm	6.0mm	8mm	70mm	1+1



Straight Fluted - STC

A range of straight two flute cutters machined from a single piece of Tungsten Carbide offering superior performance to brazed tip tooling.

Part Number	ØD mm	C1	Ød	OL	Flutes
TSC20303010	3.00	10mm	3mm	50mm	2
TSC20404010	4.00	10mm	4mm	50mm	2
TSC20606020	6.00	20mm	6mm	60mm	2
TSC20808025	8.00	25mm	8mm	70mm	2
TSC21010020	10.00	20mm	10mm	70mm	2
TSC21010032	10.00	32mm	10mm	70mm	2
TSC21212040	12.00	40mm	12mm	100mm	2



Ød = shank diameter
 ØD = cutting diameter
 OL = overall length
 C1 = blade length
 C2 = up-cut length

wealdentool.com

Sales: 01580 890500 Fax: 01580 890222 Email: sales@wealdentool.com





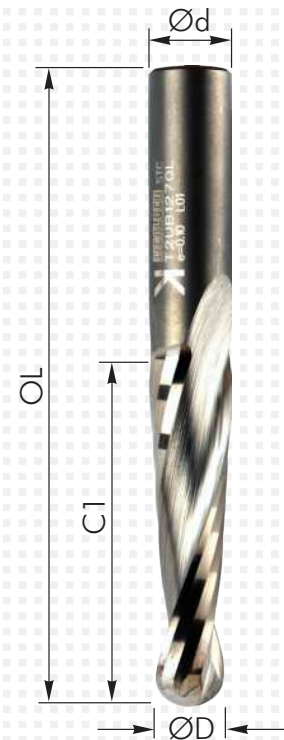
STC ROUTER CUTTERS

Ball End Upcut Spirals - STC

A range of high quality micro-grain solid carbide spiral upcut cutters with ball ends to give clean transition between depths. These cutters are primarily aimed at 3-D carving in CNC machines.

All cutters are two flute.

Part Number	ØD mm	ØD inch	C1	Ød	OL
T1UB3000	3.00	0.118	25mm	3mm	70mm
T4UB6350	6.35	1/4	25.4mm	1/4"	63.5mm
T8UB8000	8.00	5/16	25mm	8mm	76.2mm
T2UB1270A	12.70	1/2	31.7mm	1/2"	76.2mm
T2UB1270L	12.70	1/2	54mm	1/2"	101.6mm



Ød = shank diameter
 ØD = cutting diameter
 OL = overall length
 C1 = blade length



wealdentool.com

Sales: 01580 890500 Fax: 01580 890222 Email: sales@wealdentool.com

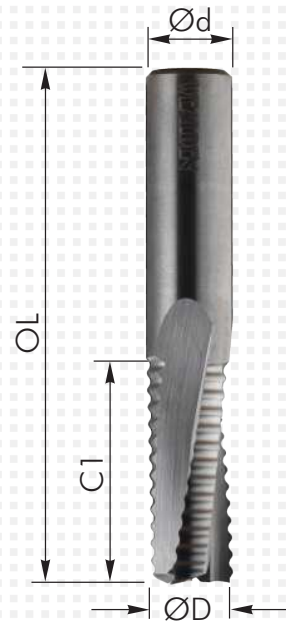


Roughing Spiral Three Flute - STC

Roughing cutters are designed for high feed rates on CNC routers in dense materials such as hardwoods and plywood, when surface finish is not important. The rougher bit makes the first cut, followed by a second cut using a profile type tool.

This cutter will produce a rippled edge to the cut. It is extremely quiet and smooth in operation, even with heavy cuts and high feed rates.

Part Number	ØD mm	ØD inch	C1	Ød	OL
T8UR8000A	8.00	5/16	25mm	8mm	76.2mm
T8UR8000B	8.00	5/16	32mm	8mm	76.2mm
T9UR1000A	10.00	25/64	25mm	10mm	76.2mm
T9UR1000B	10.00	25/64	32mm	10mm	76.2mm
T2UR1270A	12.70	1/2	25mm	1/2"	76.2mm
T2UR1270B	12.70	1/2	32mm	1/2"	76.2mm
T2UR1270E	12.70	1/2	52mm	1/2"	101.6mm
T7UR1600D	16.0	0.6299	52mm	16mm	102.0mm
T7UR1600G	16.0	0.6299	72mm	16mm	120.0mm



Ød = shank diameter
 ØD = cutting diameter
 OL = overall length
 C1 = blade length



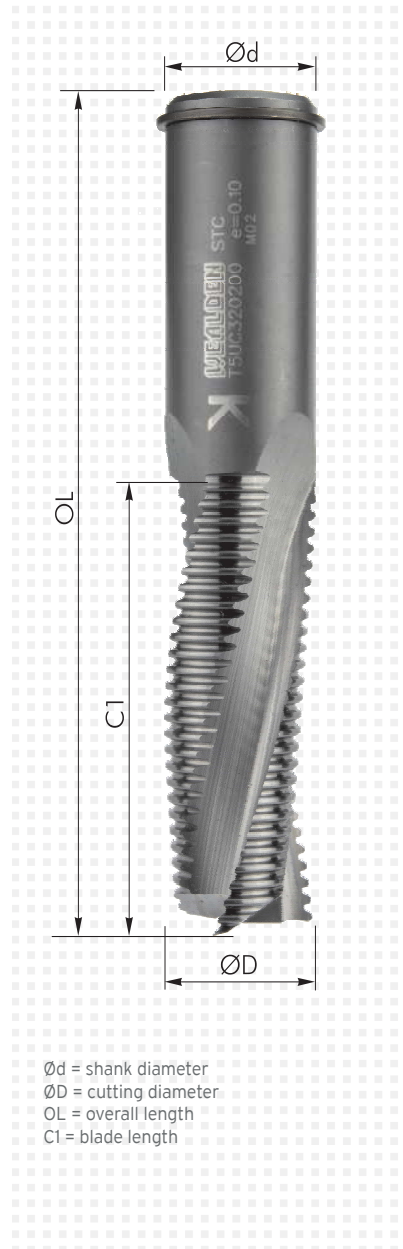


Finishing Chipbreaker Spiral Three Flute Upcut STC

A range of three flute upcut spiral cutters, which give high feed rates with low noise. The spiral chipbreaker design gives a fine serrated finish with good chip clearance and low chip loading. In many situations the finish may be acceptable without any further machining operations.

* This cutter is two flute only, due to the small diameter.

Part Number	ØD mm	ØD inch	C1	Ød	OL
T5UC208060*	6.00	0.2363	22mm	8mm	70mm
T5UC308080L	8.00	0.3149	32mm	8mm	80mm
T5UC310100	10.00	0.3937	32mm	10mm	80mm
T5UC312120	12.00	0.4724	32mm	1/2"	80mm
T5UC312120X	12.00	0.4724	52mm	1/2"	100mm
T5UC314140X	14.00	0.5512	52mm	14mm	100mm
T5UC316160X	16.00	0.6299	72mm	16mm	120mm
T5UC318180L	18.00	0.7086	72mm	18mm	120mm
T5UC318180X	18.00	0.7086	102mm	18mm	150mm
T5UC320200	20.00	0.7874	52mm	20mm	100mm
T5UC320200X	20.00	0.7874	102mm	20mm	150mm



Ød = shank diameter
 ØD = cutting diameter
 OL = overall length
 C1 = blade length



wealdentool.com

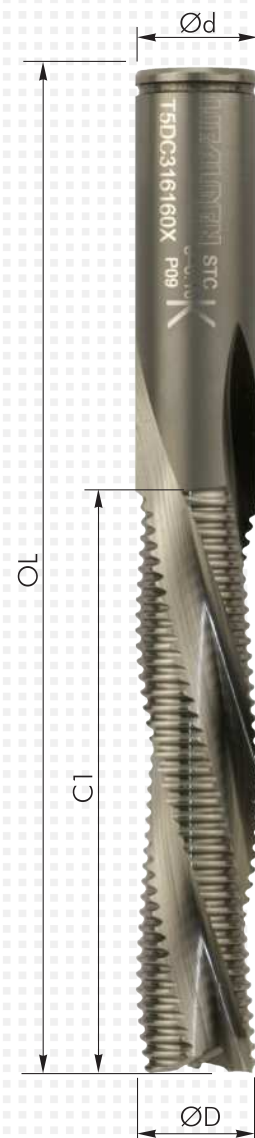
Sales: 01580 890500 Fax: 01580 890222 Email: sales@wealdentool.com



Finishing Chipbreaker Spiral Three Flute Downcut STC

A range of three flute upcut spiral cutters, which give high feed rates with low noise. The spiral chipbreaker design gives a fine serrated finish with good chip clearance and low chip loading. In many situations the finish may be acceptable without any further machining operations.

Part Number	ØD mm	ØD inch	C1	Ød	OL
T5DC308080L	8.00	0.3149	32mm	8mm	80mm
T5DC310100	10.00	0.3937	32mm	10mm	80mm
T5DC312120	12.00	0.4724	32mm	12mm	80mm
T5DC312120X	12.00	0.4724	52mm	1/2"	100mm
T5DC314140X	14.00	0.5512	52mm	14mm	100mm
T5DC316160X	16.00	0.6299	72mm	16mm	130mm
T5DC318180L	18.00	0.7086	72mm	18mm	120mm
T5DC320200	20.00	0.7874	52mm	20mm	100mm
T5DC320200X	20.00	0.7874	102mm	20mm	150mm



Ød = shank diameter
 ØD = cutting diameter
 OL = overall length
 C1 = blade length

wealdentool.com

Sales: 01580 890500 Fax: 01580 890222 Email: sales@wealdentool.com



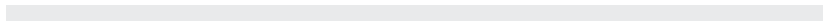


STC ROUTER CUTTERS

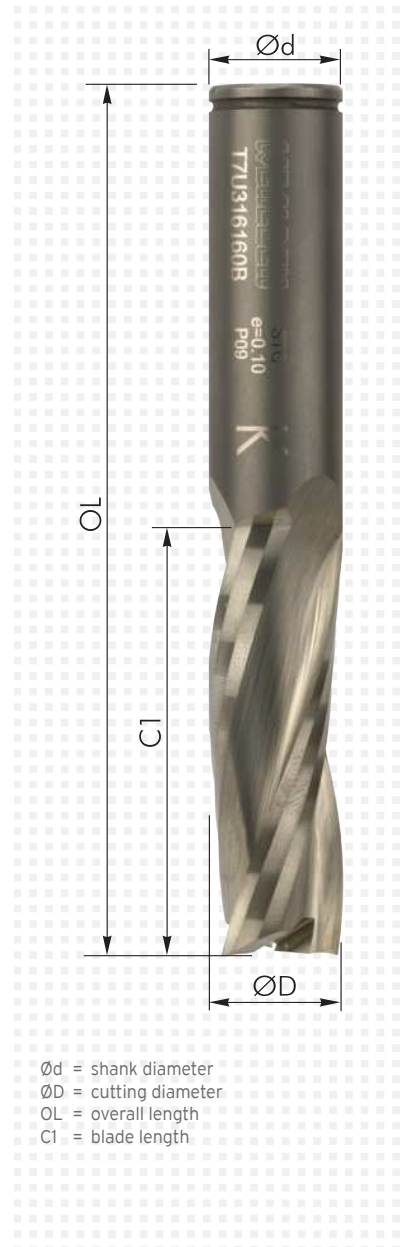
Finishing Spiral Three Flute Upcut STC

A range of three flute upcut spiral cutters, which give high feed rates with fine surface finish.

Upcut spirals require good hold-down as they can pull the work up from the bed, they also provide good chip removal from the work.



Part Number	ØD mm	ØD inch	C1	Ød	OL
T7U310100B	10.00	0.3937	42mm	10mm	90mm
T7U312120B	12.00	0.4724	42mm	12mm	90mm
T7U312120C	12.00	0.4724	52mm	12mm	100mm
T7U316160B	16.00	0.6299	52mm	16mm	100mm
T7U316160X	16.00	0.6299	72mm	16mm	120mm
T7U318180X	18.00	0.7086	102mm	18mm	150mm
T7U320200A	20.00	0.7874	52mm	20mm	100mm
T7U320200B	20.00	0.7874	72mm	20mm	120mm
T7U320200X	20.00	0.7874	102mm	20mm	150mm
T7U325250A	25.00	0.9843	52mm	25mm	100mm



Ød = shank diameter
 ØD = cutting diameter
 OL = overall length
 C1 = blade length



wealdentool.com

Sales: 01580 890500 Fax: 01580 890222 Email: sales@wealdentool.com



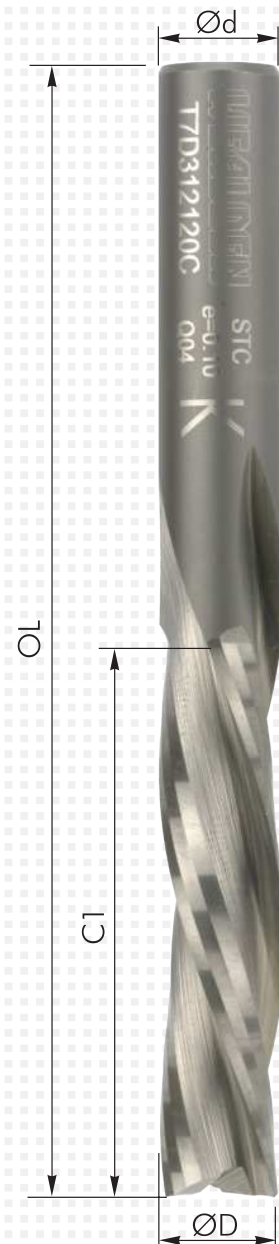
STC ROUTER CUTTERS

Finishing Spiral Three Flute Downcut STC

A range of three flute downcut spiral cutters, which give high feed rates with fine surface finish. Downcut spirals give better hold-down when working on vacuum beds but require efficient extraction as the cutting action pushes the cut material downwards.

A limited range is available in LH (anti-clockwise) rotation.

Part Number	ØD mm	ØD inch	C1	Ød	OL
RH rotation					
T7D310100B	10.00	0.3937	42mm	10mm	90mm
T7D312120B	12.00	0.4724	42mm	12mm	90mm
T7D312120C	12.00	0.4724	52mm	12mm	100mm
T7D316160B	16.00	0.6299	52mm	16mm	100mm
T7D316160X	16.0	0.6299	72mm	16mm	120mm
T7D320200A	20.00	0.7874	52mm	20mm	100mm
T7D320200B	20.00	0.7874	72mm	20mm	120mm
LH rotation					
T7DL316260X	16.0	0.6299	72mm	16mm	130mm



Ød = shank diameter
 ØD = cutting diameter
 OL = overall length
 C1 = blade length

wealdentool.com

Sales: 01580 890500 Fax: 01580 890222 Email: sales@wealdentool.com





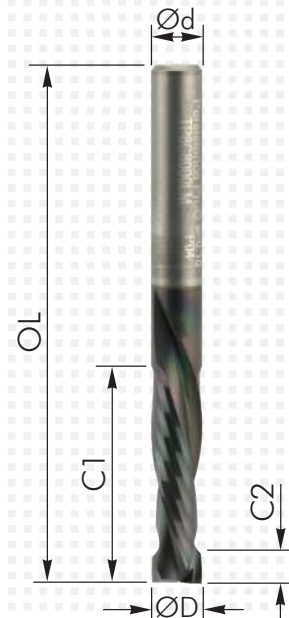
PERSISTENCE PRO[®] 2+2 FLUTE

Compression Spirals - STC DLC coated 2 + 2 flute

Our Persistence Pro[®] range of solid tungsten carbide tooling features a high performance DLC coating on precision-ground K10 grade bodies. The PE-CVD applied coating of SP2 graphite and SP3 diamond gives a harder surface coat with a lower friction co-efficient, giving a tool life of typically 2-3 times that of untreated STC.

These 2+2 flute compression spirals have two short up cut and two long down shear cut flutes. This provides down shear cutting on the top and a short up shear cut on the bottom of the tool for multi-pass cutting without damaging the top surface. Ideal for edge trimming or nesting on double faced veneered boards, these cutters ensure a good finish on both faces of laminated boards, solid timber boards and MFC.

Part Number	ØD mm	ØD inch	C1	Ød	OL	C2
TP1C4000RM	4.00	5/32	20mm	4mm	50mm	3.0mm
TP1C5000RM	5.00	0.197	20mm	5mm	50mm	3.5mm
TP6C6000RM	6.00	15/64	26mm	6mm	60mm	3.5mm
TP4C6350RM	6.35	1/4	26mm	1/4"	60mm	4.0mm
TP8C8000SM	8.00	5/16	20mm	8mm	70mm	4.0mm
TP8C8000RM	8.00	5/16	26mm	8mm	80mm	4.0mm
TP8C8000LM	8.00	5/16	32mm	8mm	80mm	4.0mm
TP3C9525SM	9.53	3/8	22mm	3/8"	80mm	5.0mm
TP3C9525RM	9.53	3/8	32mm	3/8"	80mm	5.0mm
TP9C1000SM	10.00	25/64	22mm	10mm	80mm	5.0mm
TP9C1000RM	10.00	25/64	35mm	10mm	80mm	5.0mm
TP2C1200SM	12.00	0.472	22mm	12mm	90mm	6.0mm
TP2C1270RM	12.70	1/2	35mm	1/2"	90mm	6.0mm



ØD = cutting diameter
 Ød = shank diameter
 OL = overall length
 C1 = blade length
 C2 = up cut area



wealdentool.com

Sales: 01580 890500 Fax: 01580 890222 Email: sales@wealdentool.com



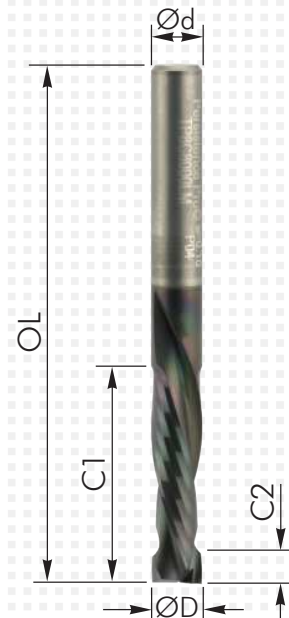
PERSISTENCE PRO[®] 3+3 FLUTE

Compression Spirals - STC DLC coated 3 + 3 flute

Our Persistence Pro[®] range of solid tungsten carbide tooling features a high performance DLC coating on precision-ground K10 grade bodies. The PE-CVD applied coating of SP2 graphite and SP3 diamond gives a harder surface coat with a lower friction co-efficient, giving a tool life of 2-3 times that of untreated STC.

These 3+3 flute compression spirals have three short up cut and three long down shear cut flutes. This provides down shear cutting on the top and a short up shear cut on the bottom of the tool for multi-pass cutting without damaging the top surface. Ideal for edge trimming or nesting on double faced veneered boards, these cutters ensure a good finish on both faces of laminated and solid timber boards.

Part Number	ØD mm	ØD inch	C1	Ød	OL	C2
TV3C9525RM	9.53	3/8	32mm	3/8"	80mm	5.0mm
TV9C1000RM	10.00	25/64	35mm	10mm	80mm	5.0mm



ØD = cutting diameter
 Ød = shank diameter
 OL = overall length
 C1 = blade length
 C2 = up cut area

wealdentool.com

Sales: 01580 890500 Fax: 01580 890222 Email: sales@wealdentool.com





PERSISTENCE PRO[®] 2 FLUTE

Up or Down Cut Spirals - STC DLC coated

Our Persistence Pro[®] range of solid tungsten carbide tooling features a high performance DLC coating on precision-ground K10 grade bodies. The PE-CVD applied coating of SP2 graphite and SP3 diamond gives a harder surface coat with a lower friction co-efficient, giving a tool life of typically 2-3 times that of untreated STC.

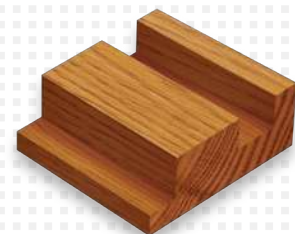
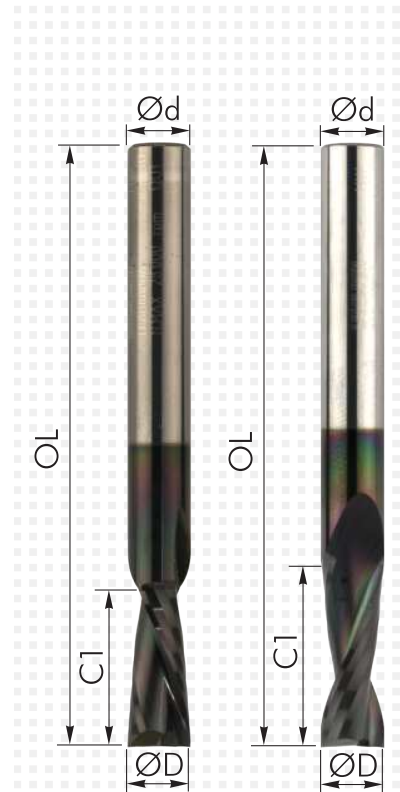
These cutters are available in either up-cut or down-cut RH rotation.

Down-cut

Part Number	ØD mm	ØD inch	C1	Ød	OL
TP8D6000A	6.00	15/64	19mm	8mm	80mm
TP8D8000A	8.00	5/16	20mm	8mm	80mm
TP3D9525B	9.53	3/8	27mm	3/8"	80mm
TP9D1000R	10.00	25/64	32mm	10mm	80mm

Up-cut

Part Number	ØD mm	ØD inch	C1	Ød	OL
TP8U6000A	6.00	15/64	19mm	8mm	80mm
TP8U8000B	8.00	5/16	25mm	8mm	80mm
TP9U1000R	10.00	25/64	32mm	10mm	80mm



ØD = cutting diameter
 Ød = shank diameter
 OL = overall length
 C1 = blade length



wealdentool.com

Sales: 01580 890500 Fax: 01580 890222 Email: sales@wealdentool.com



Lock Pocket Mortise Cutter



Deep pocket cutter designed to rout lock mortise cut-outs and deep mortises. Two versions are available either solid tungsten carbide or swop-tip[®] with replaceable TC tips.

The swop-tip[®] replaceable tip cutter offers the benefit of a constant diameter and easy maintenance, with the body made of high alloy steel for extreme rigidity it is fitted with two solid carbide chip breaker TC knives. This cutter is available in standard RH (clockwise) rotation or **LH (anti-clockwise)** rotation.

Take care when ordering both the cutter and the replacement knives.

The solid tungsten carbide version of the cutter has a slow helix upcut to help chip clearance and the chip breaker design aids chip formation and prevent stringing on solid timber.

Replaceable tip cutter

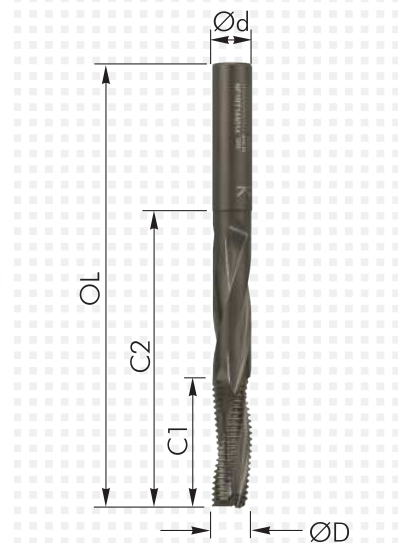
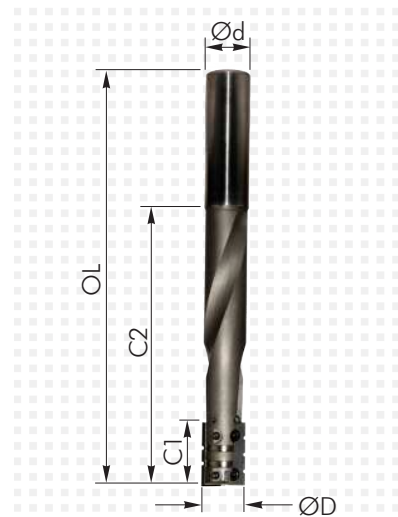
Part Number	ØD	C1	OL	Ød	C2	Rotation
NA1651616	16mm	23mm	150mm	16mm	100mm	Right hand
NA2651616	16mm	23mm	150mm	16mm	100mm	Left hand

Spare Parts	Description	Size
NA0050162	Knife	23x7x1.5mm 2RT
NA0050163	Knife	23x7x1.5mm 3RT
TQ304	Screw	M3 x 4
F002085	Torx key	T9



Solid Tungsten Carbide cutter

Part Number	ØD	C1	OL	Ød	C2	Rotation
NF1RT144014	14mm	43mm	150mm	14mm	100mm	Right hand
NF1RT164016	16mm	43mm	150mm	16mm	100mm	Right hand



Ød = shank diameter
 ØD = cutting diameter
 OL = overall length
 C1 = blade length
 C2 = max cutting depth

wealdentool.com

Sales: 01580 890500 Fax: 01580 890222 Email: sales@wealdentool.com



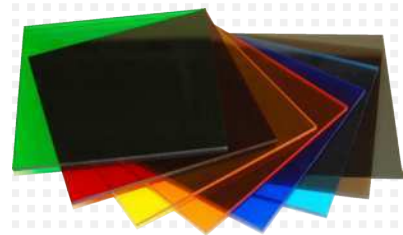
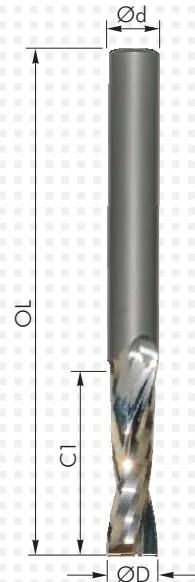


Acrylic Spiral Flute Up Cut - STC

A range of helical fluted up-cut solid tungsten carbide cutters specially ground for cutting acrylic. The polished flute design allows for smooth feed rate, efficient chip clearance and a cleaner finish.

Single flute solid carbide cutters offer fast cutting and are especially suited to cutting low melting point plastics. The design of two flute cutters gives reduced contact with the material, plus gradual lead-in when first cutting and is the perfect preparation before flame polishing of Perspex.

Part Number	ØD mm	ØD inch	C1	Ød	OL	Flutes
T4AU300AZ2	3.00	0.118	12mm	1/4	65mm	2
T4AU400AZ2	4.00	5/32	14mm	1/4	65mm	2
T4AU600BZ2	6.00	15/64	19mm	1/4	65mm	2
T4AU630AZ1	6.35	1/4	10mm	1/4	65mm	1
T4AU630BZ1	6.35	1/4	20mm	1/4	65mm	1
T8AU400AZ2	4.00	5/32	14mm	8mm	80mm	2
T8AU600BZ2	6.00	15/64	19mm	8mm	80mm	2
T8AU800BZ2	8.00	5/16	25mm	8mm	80mm	2
T8AU800CZ1	8.00	5/16	30mm	8mm	80mm	1



Ød = shank diameter
 ØD = cutting diameter
 OL = overall length
 C1 = blade length



wealdentool.com

Sales: 01580 890500 Fax: 01580 890222 Email: sales@wealdentool.com

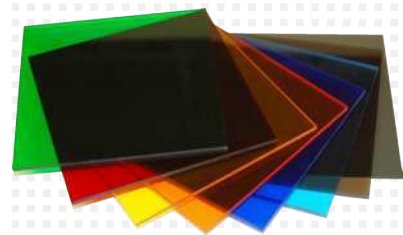
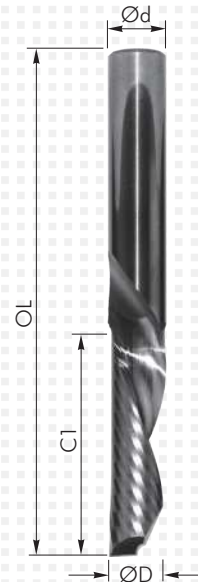


Acrylic Helical Flute Down Cut - STC

A range of helical fluted down-cut solid tungsten carbide cutters specially ground for cutting acrylic. The polished flute design allows for smooth feed rate, efficient chip clearance and a cleaner finish.

The single flute solid carbide cutter offers fast cutting and is especially suited to cutting low melting point plastics. The design of two flute cutters gives reduced contact with the material, plus gradual lead-in when first cutting and is the perfect preparation before flame polishing of Perspex.

Part Number	ØD mm	ØD inch	C1	Ød	OL	Flutes
T4AD400AZ2	4.00	5/32	14mm	1/4	65mm	2
T4AD600BZ2	6.00	15/64	19mm	1/4	65mm	2
T8AD400AZ2	4.00	5/32	14mm	8mm	80mm	2
T8AD600BZ2	6.00	15/64	19mm	8mm	80mm	2
T8AD800CZ2	8.00	5/16	25mm	8mm	80mm	2
T8AD800DZ1	8.00	5/16	30mm	8mm	80mm	1



Ød = shank diameter
 ØD = cutting diameter
 OL = overall length
 C1 = blade length





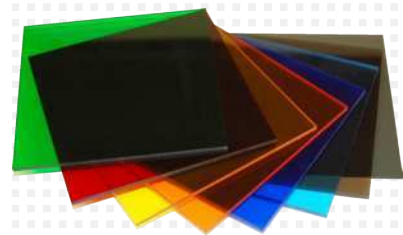
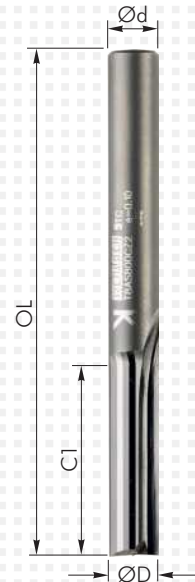
STC ROUTER CUTTERS

Acrylic Straight Flute - STC

A range of straight fluted up-cut solid tungsten carbide cutters specially ground for cutting acrylic. The polished flute design allows for smooth feed rate, efficient chip clearance and a cleaner finish.

Single flute solid carbide cutters offer fast cutting and are especially suited to cutting low melting point plastics. The design of two flute cutters gives reduced contact with the material, plus gradual lead-in when first cutting and is the perfect preparation before flame polishing of Perspex.

Part Number	ØD mm	ØD inch	C1	Ød	OL	Flutes
T4AS635CZ1	6.35	1/4	25mm	1/4	65mm	1
T4AS635AZ2	6.35	1/4	15mm	1/4	65mm	2
T4AS635CZ2	6.35	1/4	25mm	1/4	65mm	2
T8AS800CZ1	8.00	5/16	32mm	8mm	80mm	1
T8AS800CZ2	8.00	5/16	32mm	8mm	80mm	2



Ød = shank diameter
 ØD = cutting diameter
 OL = overall length
 C1 = blade length



wealdentool.com

Sales: 01580 890500 Fax: 01580 890222 Email: sales@wealdentool.com



Plywood Straight Two Flute



A range of cutters with solid Tungsten Carbide inserts brazed into steel shanks. These are especially suited to CNC cutting of plywood but may also be used on MDF.

Benefits of these cutters include:

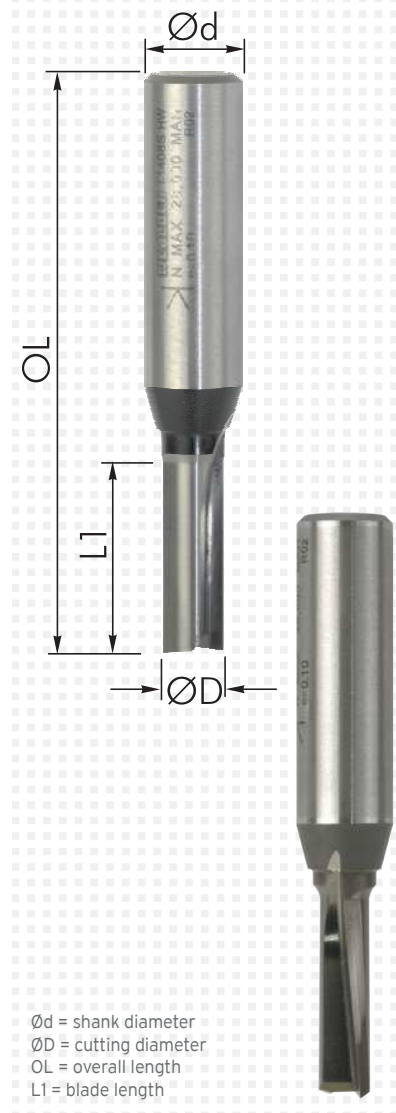
- Cleaner top and bottom edge finish
- Improved cross grain finish with reduced tear-out
- Better chip clearance than either compression or down-cut spirals
- Reduced up-lift on vacuum beds compared to up-cut spirals
- Much reduced noise levels compared to spiral cutters
- A cost effective alternative to STC spirals

An 8mm cutter with a 5 degree downshear is available to aid clean cutting on the top face of veneered board.

Part Number	ØD mm	C1	OL	Ød	Max pass depth	Feed rate m/minute
T1403S	3.0mm	10mm	63mm	1/2"	3mm	3
T1404S	4.0mm	20mm	66mm	1/2"	5mm	3
T1405S	5.0mm	20mm	66mm	1/2"	5mm	3
TS1406S	6.0mm	12mm	66mm	1/2"	9mm	4
T1406S	6.0mm	20mm	66mm	1/2"	9mm	4
T1406.4S	6.3mm	20mm	66mm	1/2"	9mm	4
T1407S	7.0mm	20mm	70mm	1/2"	14mm	6
T1407.5S	7.5mm	20mm	70mm	1/2"	14mm	6
T1408S	8.0mm	25mm	76mm	1/2"	15mm	7
T1408.5S	8.5mm	25mm	76mm	1/2"	15mm	7

DOWNSHEAR

TD1408S	8.0mm	25mm	76mm	1/2"	15mm	7
---------	-------	------	------	------	------	---



wealdentool.com

Sales: 01580 890500 Fax: 01580 890222 Email: sales@wealdentool.com



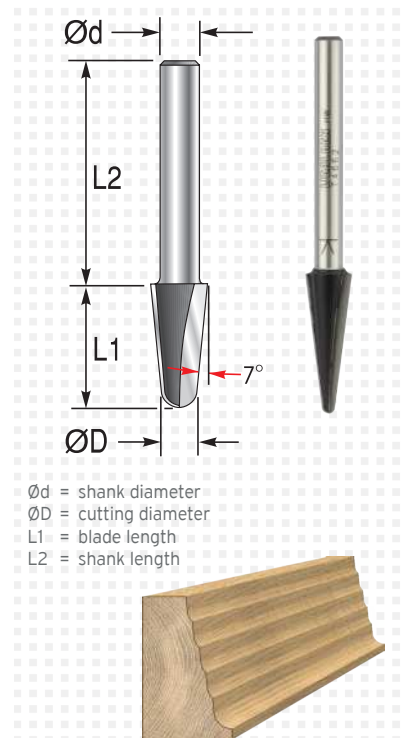


CARVING TAPER & DOWN-SHEAR CHAMFER

Carving taper

These two flute TCT cutters have a tapered body with a radiused cutting head. They are especially suited to 3D carving work etc. on small components.

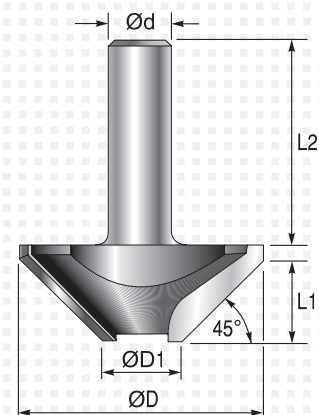
Part Number	ØD	L1	L2	Ød
T4660	1.5mm	30mm	50mm	1/4"
T4661-8	1.5mm	30mm	50mm	8mm
T4662	3.0mm	30mm	50mm	1/4"
T4663-8	3.0mm	30mm	50mm	8mm
T4667	6.0mm	30mm	50mm	1/4"
T4668-8	6.0mm	30mm	50mm	8mm
T4674	9.0mm	30mm	50mm	1/4"
T4675-8	9.0mm	30mm	50mm	8mm



Down-shear Chamfer

A two flute TC tipped cutter with down-shearing blades. The down-shear helps to ensure a clean cut on the top face, especially when working with veneered and laminated boards.

Part Number	ØD	L1	L2	Ød	ØD1
NA1911315	45mm	15mm	50mm	1/2"	15mm



wealdentool.com

Sales: 01580 890500 Fax: 01580 890222 Email: sales@wealdentool.com



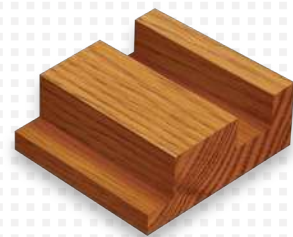
Easy-fix[®] Replaceable Tip

A range of replaceable tip single flute cutters. These economical production cutters have low cost solid tungsten carbide replaceable knives with positive location for easy replacement and long life. Supplied complete with blade and key.

Part Number	ØD	Ød	C1	OL	Blade part no.
TE10801030	10.0mm	8mm	30mm	70mm	TK5530
TE11212050	12.0mm	12mm	50mm	103mm	TK5550
TE11312730	12.7mm	1/2"	30mm	80mm	TK5530
TE11312050	12.0mm	1/2"	50mm	103mm	TK5550
TE11312750	12.7mm	1/2"	50mm	103mm	TK5550
TE11314050	14.0mm	1/2"	49mm	103mm	TK5649
TE11318030	18.0mm	1/2"	29mm	103mm	TK5629

Spare blades	Description	Size
TK5530	Blade	30 x 5.5 x 1.1mm
TK5530B	Box of 10 blades	30 x 5.5 x 1.1mm
TK5550	Blade	20 x 5.5 x 1.1mm
TK5550B	Box of 10 blades	20 x 5.5 x 1.1mm
TK5629	Blade	30 x 6.5 x 1.1mm
TK5629B	Box of 10 blades	30 x 6.5 x 1.1mm
TK5649	Blade	50 x 6.5 x 1.1mm
TK5649B	Box of 10 blades	50 x 6.5 x 1.1mm

Spare parts	Description
F002079	Torx key T8
F002085	Torx key T9
KT15	Torx key T15
TQ254	Clamp screw M2.5 x 4.5 - head 3.5 c/sk
TQ256	Clamp screw M2.5 x 6 - head 3.5 c/sk
TQ404	Grub screw M4 x 4
TQ408	Clamp screw M4 x 6 - head 6mm
TQ406	Clamp screw M4 x 6 - head 8.5mm



Ød = shank diameter
 ØD = cutting diameter
 OL = overall length
 C1 = blade length

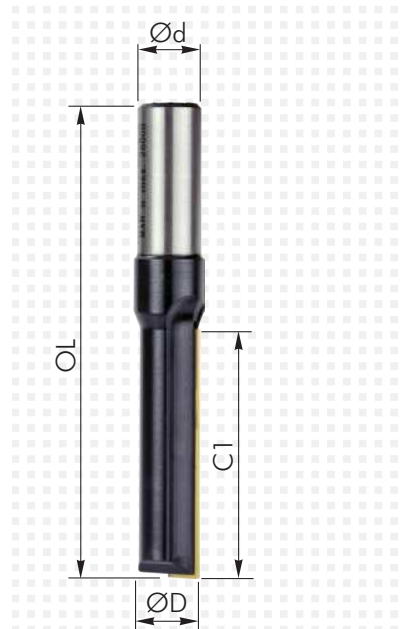




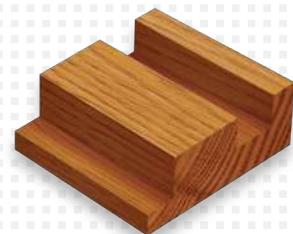
Replaceable Tip Versofix - 1/2" shank

A range of replaceable tip single flute cutters. The TC inserts have a ground-in chip breaker to provide optimum cutting angle and ensure good chip formation even in the smallest diameters. A special coating is applied to the TC inserts, which increases surface hardness and wear resistance. Each cutter is supplied with a blade.

Part Number	ØD	Ød	C1	OL	Blade part no.
K69400	8.0mm	1/2"	20mm	68mm	K69883
K69421	9.5mm	1/2"	20mm	68mm	K69883
K69401	10.0mm	1/2"	20mm	68mm	K69883
K69402	12.0mm	1/2"	20mm	68mm	K69883
K69408	12.7mm	1/2"	30mm	74mm	K69884
K69420	12.7mm	1/2"	50mm	94mm	K69886
K69409	14.0mm	1/2"	50mm	94mm	K69882
K69404	15.0mm	1/2"	30mm	74mm	K69881
K69405	16.0mm	1/2"	30mm	74mm	K69881
K69410	16.0mm	1/2"	50mm	94mm	K69882
K69406	18.0mm	1/2"	30mm	74mm	K69881
K69411	18.0mm	1/2"	50mm	94mm	K69882
K69407	20.0mm	1/2"	30mm	74mm	K69881
K69412	20.0mm	1/2"	50mm	94mm	K69882



Spare Parts	Description	Size
K69881	Blade	30 x 10 x 1.5mm
K69881B	Box of 10 blades	30 x 10 x 1.5mm
K69882	Blade	50 x 10 x 1.5mm
K69882B	Box of 10 blades	50 x 10 x 1.5mm
K69883	Blade	20 x 5.5 x 1.1mm
K69883B	Box of 10 blades	20 x 5.5 x 1.1mm
K69884	Blade	30 x 6.5 x 1.1mm
K69884B	Box of 10 blades	30 x 6.5 x 1.1mm
K69886	Blade	50 x 6.5 x 1.1mm
K69886B	Box of 10 blades	50 x 6.5 x 1.1mm



Ød = shank diameter
 ØD = cutting diameter
 OL = overall length
 C1 = blade length



wealdentool.com

Sales: 01580 890500 Fax: 01580 890222 Email: sales@wealdentool.com

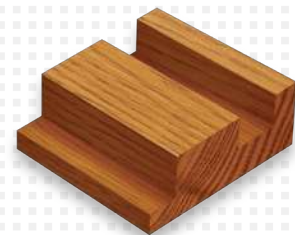
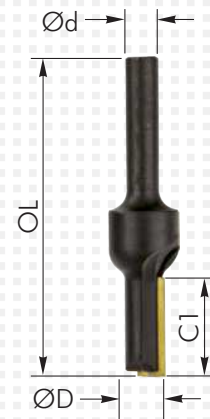


Replaceable Tip Versofix - 1/4" shank

A range of replaceable tip single flute cutters. The TC inserts have a ground-in chip breaker to provide the optimum cutting angle, ensuring good chip formation even in the smallest diameters. A special coating is applied to the TC inserts which increases the surface hardness and wear resistance. Each cutter is supplied with a blade.

Part Number	ØD	Ød	C1	OL	Blade part no.
K69150	8.0mm	1/4"	20mm	63mm	K69883
K69151	10.0mm	1/4"	20mm	63mm	K69883
K69152	12.0mm	1/4"	20mm	63mm	K69883
K69153	14.0mm	1/4"	20mm	59mm	K69880
K69154	15.0mm	1/4"	20mm	59mm	K69880
K69155	16.0mm	1/4"	20mm	59mm	K69880
K69156	18.0mm	1/4"	20mm	59mm	K69880
K69157	20.0mm	1/4"	20mm	59mm	K69880
K69158	22.0mm	1/4"	20mm	59mm	K69880

Spare Parts	Description	Size
K69880	Blade	20 x 10 x 1.5mm
K69880B	Box of 10 blades	20 x 10 x 1.5mm
K69883	Blade	20 x 5.5 x 1.1mm
K69883B	Box of 10 blades	20 x 5.5 x 1.1mm



Ød = shank diameter
 ØD = cutting diameter
 OL = overall length
 C1 = blade length





TCT ROUTER CUTTERS

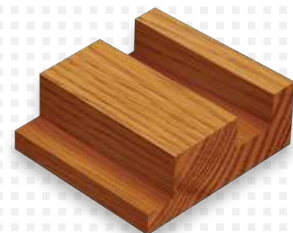
Replaceable Tip Versofix Left Hand Rotation

Two cutters from the VERSOFIX range which are suitable for use in machines with left hand rotation. Each cutter is supplied complete with blades.

The TC inserts have a ground-in chip breaker to provide optimum cutting angle and ensure good chip formation even in the smallest diameters. A special coating is applied to the TC inserts, which increases surface hardness and wear resistance.

Part Number	ØD	Ød	C1	OL	Blade part no.
K69416	12.7mm	1/2"	30mm	74mm	K69884
K69417	14.0mm	1/2"	50mm	74mm	K69882

Spare Parts	Description	Size
K69882	Blade	50 x 10 x 1.5mm
K69882B	Box of 10 blades	50 x 10 x 1.5mm
K69884	Blade	30 x 6.5 x 1.1mm
K69884B	Box of 10 blades	30 x 6.5 x 1.1mm



Ød = shank diameter
 ØD = cutting diameter
 OL = overall length
 C1 = blade length



wealdentool.com

Sales: 01580 890500 Fax: 01580 890222 Email: sales@wealdentool.com



CNC ROUTER CUTTERS

Straight One + One Flutes



Swop-tip[®] disposable insert compression cutter with alternate knives, which can be independently replaced and rotated for extended life.

Replaceable tip cutters offer the benefit of a constant diameter and easy maintenance without removal from the machine.

Part Number	ØD	C1	OL	Ød
NA176203010	20mm	30mm	85mm	10mm



Spare Parts	Description	Size
F000452	Tip blade	12 x 7.5 x 1.5mm
NA0005312	Side blade	29.5 x 12 x 1.5mm
TQ402	Torx screw	M4 x 4 (7.5mm head)
TQ406	Torx screw	M4 x 6 (8.5mm head)
TQ409	Torx screw	M4 x 4 (8.5mm head)
NA0050015	Torx key	T15





Straight Two Flute Replaceable Tip

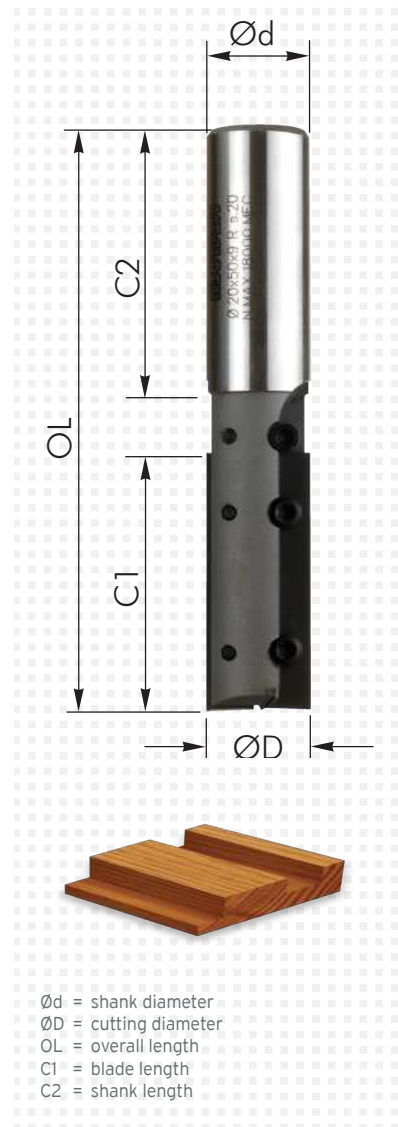


Disposable insert swop-tip[®] cutter suitable for grooving, rebating and sizing in coated or uncoated man-made boards.

Replaceable tip cutters offer the benefit of a constant diameter and easy maintenance without removal from the machine.

Part Number	ØD	C1	OL	Ød	C2
NA1842030	20mm	29mm	90mm	20mm	50mm
NA1842050	20mm	49mm	110mm	20mm	50mm

Spare Parts	Description	Size
NA0050308	Knife	29x9x1.5mm
NA0050508	Knife	49x9x1.5mm
TQ354	Screw	M3.5 x 4
NA0050015	Torx key	T15





CNC ROUTER CUTTERS

Straight Two + Two Flutes

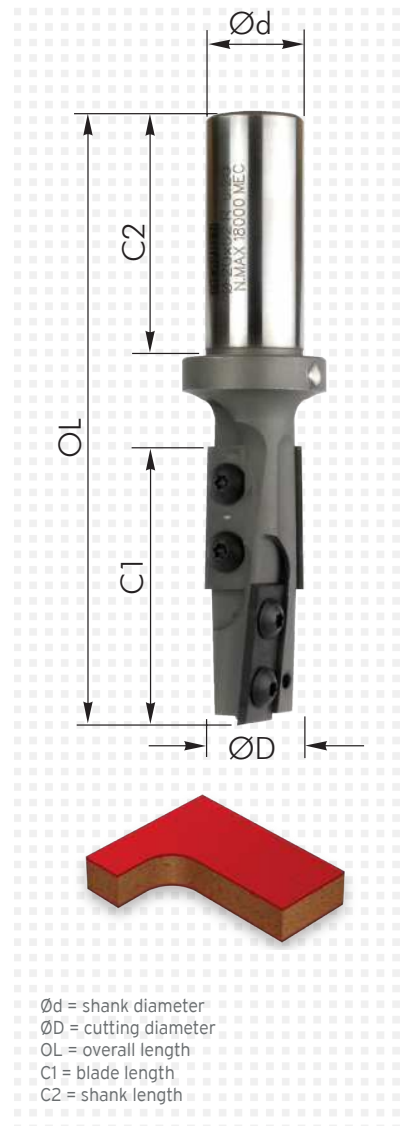


Disposable insert compression cutter with alternate knives, which can be independently replaced. Suitable for trimming on double-sided veneered and laminated board.

Replaceable tip cutters offer the benefit of a constant diameter and easy maintenance without removal from the machine.

Part Number	ØD	C1	OL	Ød	C2
NA1852052	20mm	52mm	125mm	20mm	50mm

Spare Parts	Description	Size
NA0050030	Knife	29.5x12x1.5mm
TQ406	Screw	M4 x 6
NA0050015	Torx key	T15





CNC ROUTER CUTTERS

Up Down Shear Cutter

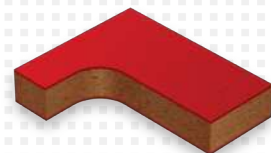
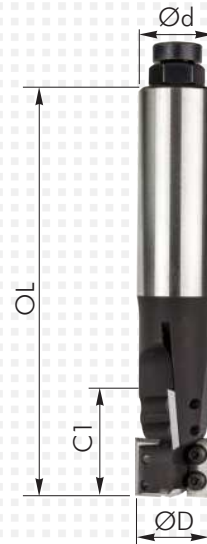


Replaceable tip straight router cutter complete with two up and down shear flutes for an extra fine finish and centre tip for improved boring.

Replaceable inserts ensure a constant cutting diameter and finish quality.

Part Number	ØD	C1	OL	Ød
NA8073200	20mm	30mm	110mm	20mm
NA8073220	20mm	50mm	130mm	20mm

Spare Parts	Description	Size
NA8073203	TC Knife (box 10)	16 x 7 x 1.5mm
NA8073204	TC Knife (box 10)	28 x 7 x 1.5mm
TQ305	Torx Screw	M3 x 4
F002085	Torx Key	T9



Ød = shank diameter
 ØD = cutting diameter
 OL = overall length
 C1 = max cutting depth





CNC ROUTER CUTTERS

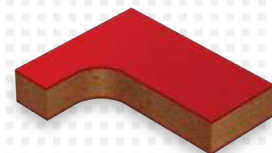
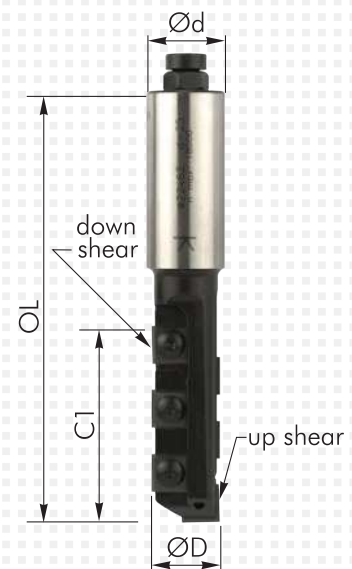
Compression Swop-tip[©]



Swop-tip[©] disposable insert straight router cutter with two flutes and multiple cutting blades. Top and bottom blades are sheared to ensure a good finish on both top and bottom surfaces of laminated and veneered boards. For grooving and sizing on routers and machining centres with CNC control. Maximum rpm on these cutters is 18,000.

Replaceable inserts ensure a constant cutting diameter and finish quality.

Part Number	ØD	C1	OL	Ød
NA182522042	22mm	42mm	128mm	25mm
NA182522062	22mm	62mm	148mm	25mm



Ød = shank diameter
 ØD = cutting diameter
 OL = overall length
 C1 = max cutting depth

Spare Parts	Description	Size
TK12B	TC Knife (box 10)	12 x 12 x 1.5mm
TQ405	Torx Screw	M4 x 5 (8mm head)
KT15	Torx Key	T15





CNC ROUTER CUTTERS

Surfacing Rebating Cutter

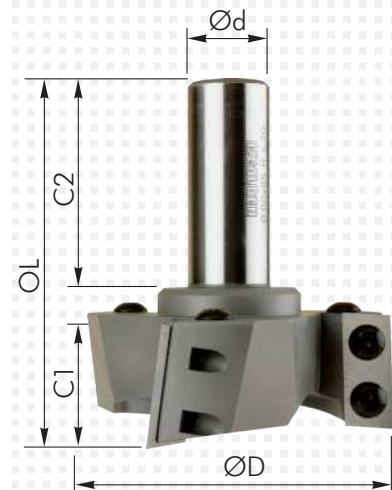


A large three flute replaceable TC swop-tip[®] cutter for spoil board machining, surfacing and rebating where the rebate angle is 90 degrees.

Replaceable tip cutters offer the benefit of a constant diameter and easy maintenance without removal of the tooling from the machine.

Part Number	ØD mm	C1	OL	Ød	C2
NA1642080	80mm	30mm	85mm	20mm	50mm

Spare Parts	Description	Size
NA0005312	Knife	30mm
TQ406	Screw	M4 x 6
KT15	Torx key	T15



Ød = shank diameter
 ØD = cutting diameter
 OL = overall length
 C1 = blade length
 C2 = shank length



wealdentool.com

Sales: 01580 890500 Fax: 01580 890222 Email: sales@wealdentool.com



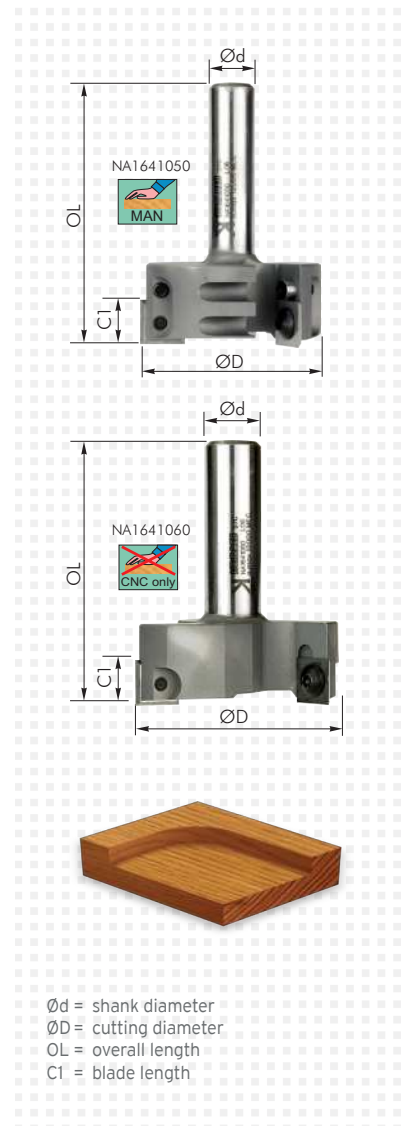
Surface Trepanning Three Wing Cutter

Skimming tool for CNC beds with standard TC 12mm swop-tip® knives. The half inch shank version meets the requirements for hand feeding and may be used in portable routing machines.

Replaceable inserts ensure a constant cutting diameter and finish quality.

Part Number	ØD	C1	OL	Ød	Shank length
NA1641050	50mm	12mm	70mm	12.7mm	49mm
NA1641060	60mm	12mm	70mm	16mm	49mm

Spare Parts	Description	Size
TK12	TC Knife	12x12x1.5mm
TQ405	Screw	M4 x 5
KT15	Hex Key	T15



Ød = shank diameter
 ØD = cutting diameter
 OL = overall length
 C1 = blade length





CNC ROUTER CUTTERS

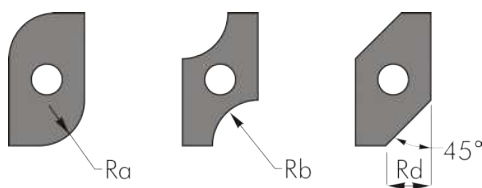
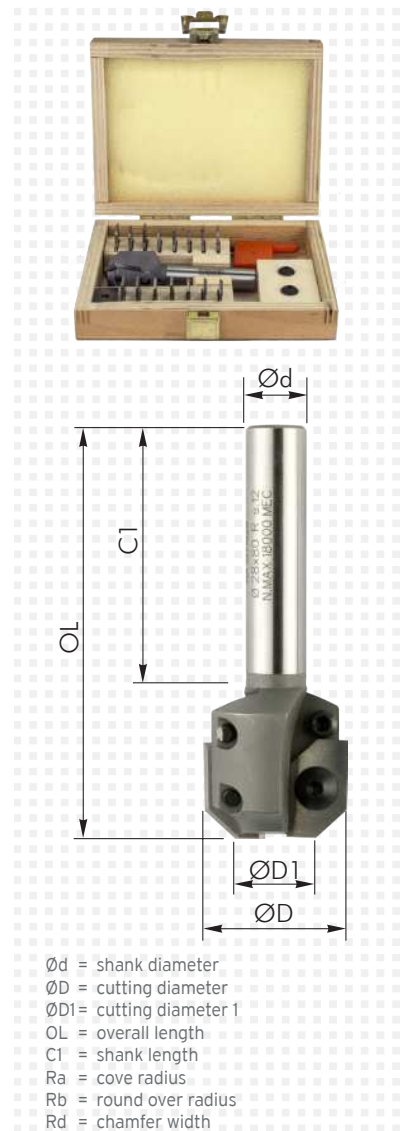
Multi Profile Moulding Set - Reversible Knives



A boxed set of reversible swop-tip[®] knives and holder to produce four sizes of Round Over, four sizes of Cove and a 45 degree Chamfer.

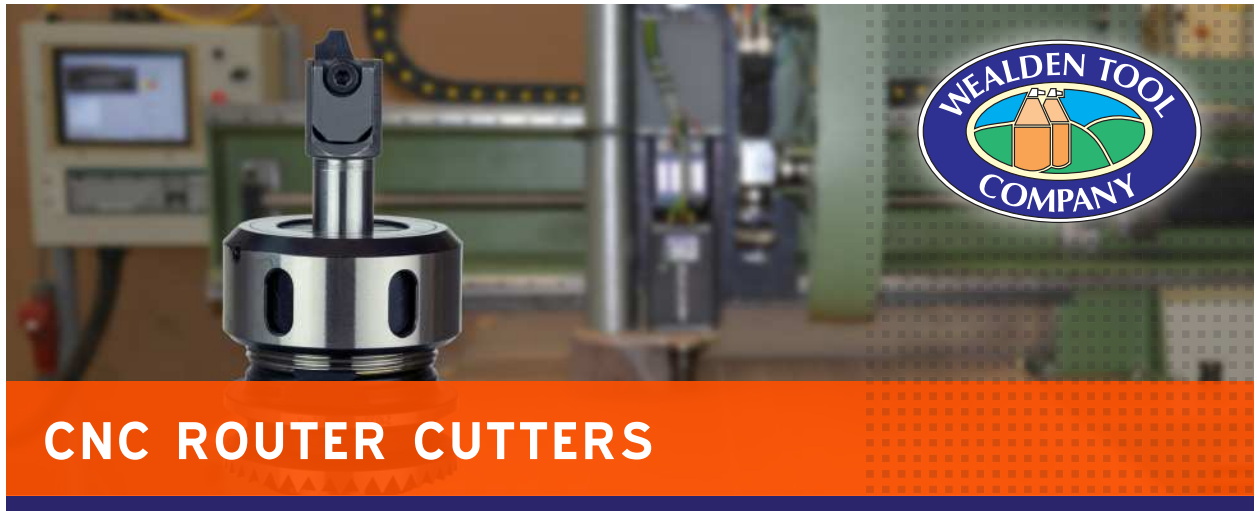
Part Number	ØD	OL	Ød	Shank C1
NA1871628	28mm	80mm	12mm	50mm

Spare Parts	Description
NA1871602	Body only
NA1871604	Box, set of knives, no body
NA1870130	Knife Cove Profile ØD1=22, Ra=3
NA1870140	Knife Cove Profile ØD1=20, Ra=4
NA1870150	Knife Cove Profile ØD1=18, Ra=5
NA1870160	Knife Cove Profile ØD1=16, Ra=6
NA1870220	Knife Round Over Profile ØD1=24, Rb=2
NA1870230	Knife Round Over Profile ØD1=22, Rb=3
NA1870240	Knife Round Over Profile ØD1=20, Rb=4
NA1870250	Knife Round Over Profile ØD1=18, Rb=5
NA1870260	Knife Round Over Profile ØD1=16, Rb=6
NA1870060	Knife 45 degree Chamfer ØD1=16, Rd=6
TQ406	Torx Screw
NA0050015	Torx Key T15



wealdentool.com

Sales: 01580 890500 Fax: 01580 890222 Email: sales@wealdentool.com



CNC ROUTER CUTTERS

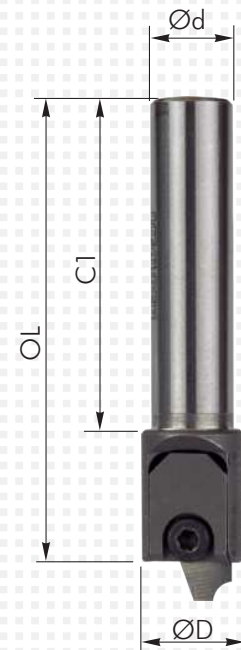
Multi Profile Set - Replaceable Tips



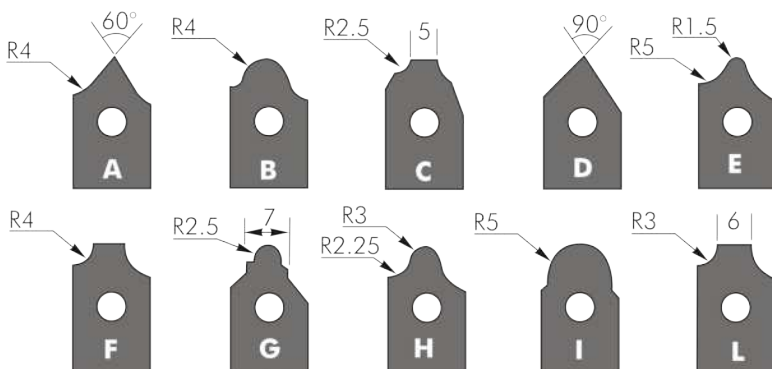
A boxed set of ten single flute swop-tip[®] knives and holder to produce a wide variety of profiles.

Part Number	ØD	OL	Ød	Shank C1
NA1921336	16mm	70mm	1/2 inch	50mm

Spare Parts	Description
NA1921316	Body only
NA1921326	Box, set of knives, no body
NA192131A	Knife Profile A
NA192131B	Knife Profile B
NA192131C	Knife Profile C
NA192131D	Knife Profile D
NA192131E	Knife Profile E
NA192131F	Knife Profile F
NA192131G	Knife Profile G
NA192131H	Knife Profile H
NA192131I	Knife Profile I
NA192131L	Knife Profile L
NA0050015	Torx Key T15



Ød = shank diameter
 ØD = cutting diameter
 OL = overall length



wealdentool.com

Sales: 01580 890500 Fax: 01580 890222 Email: sales@wealdentool.com





CNC ROUTER CUTTERS

Multi Profile System

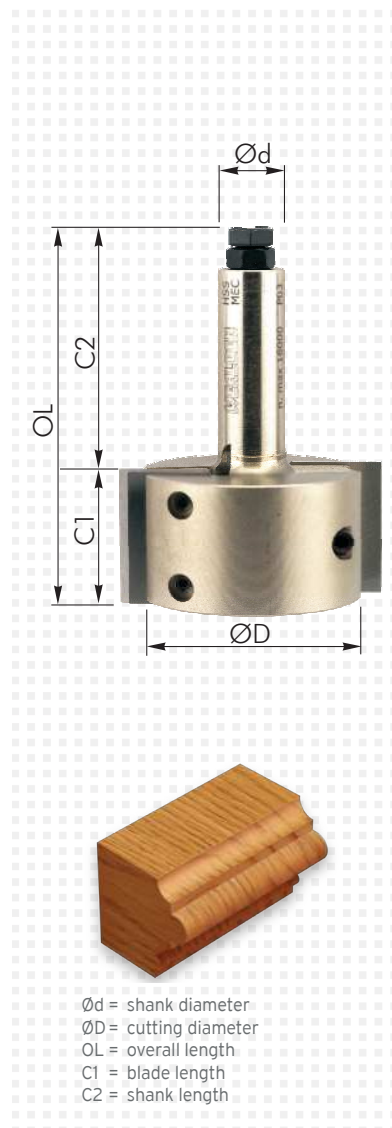


Multi profile cutter to take the complete range of 40 x 4mm and 50 x 4mm spindle moulder euro knives. Suitable for profiling in softwoods, hardwoods and man-made boards (TCT knives only) on routers and machining centres with CNC control. N.B. Maximum speed 12,000 r.p.m.

This cutterhead is supplied complete with rebating knives and will accept any of the F121 or F131 series Euro knives from our spindle moulding range.

Part Number	ØD	C1	OL	Ød	C2
NA8710061	66mm	40-50mm	98mm	20mm	55mm

Spare Parts	Description	Size
F121191	Rebate Knife	40x20x4mm
F002042	Wedge	L=38mm
F003128	Set Screw	M8 x 16
NA0003134	Hex Key	4mm



wealdentool.com

Sales: 01580 890500 Fax: 01580 890222 Email: sales@wealdentool.com



Bull Nose Profile



Swop-tip[®] profile cutter with four different sizes of bull nose profile.

Replaceable tip cutters offer the benefit of a constant diameter and easy maintenance without removal from the machine.

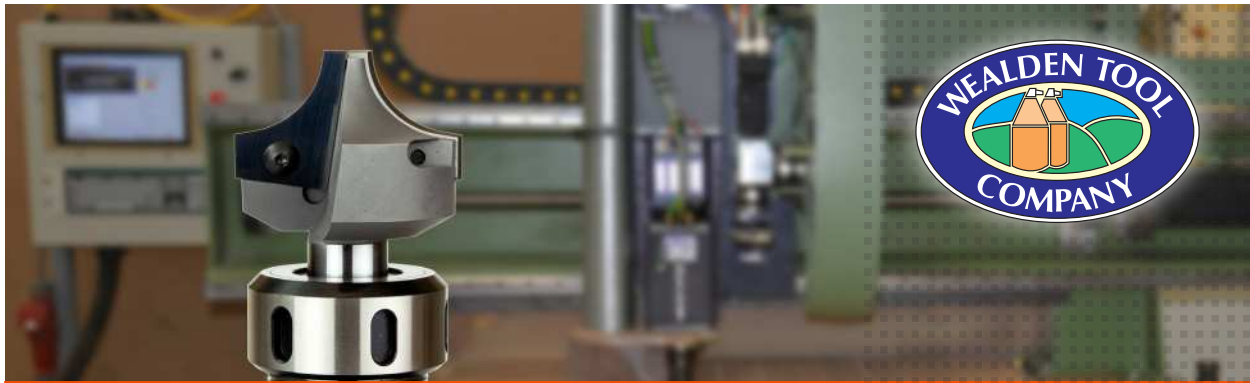
Part Number	ØD	R1	OL	Ød	C1
NA1892050	50mm	5.0mm	90mm	20mm	50mm
NA1892075	60mm	7.5mm	95mm	20mm	50mm
NA1892100	60mm	10.0mm	100mm	20mm	50mm
NA1892125	70mm	12.5mm	100mm	20mm	50mm

Spare Parts	Description	Size
NA1890050	Knife	Radius = 5.0mm
NA1890075	Knife	Radius = 7.5mm
NA1890100	Knife	Radius = 10.0mm
NA1890125	Knife	Radius = 12.5mm
TQ406	Torx screw	M4 x 6
KT15	Torx Key	T15



Ød = shank diameter
 R1 = radius
 ØD = cutting diameter
 OL = overall length
 C1 = shank length





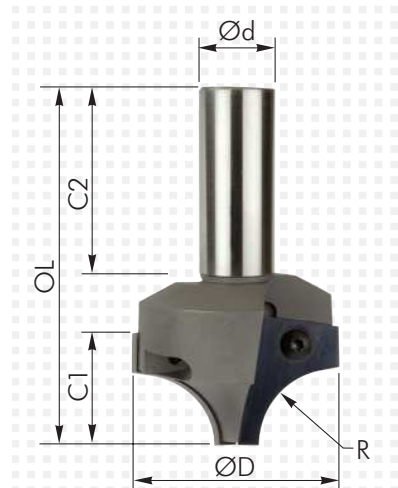
CNC ROUTER CUTTERS

Ovolo/Beading Cutter

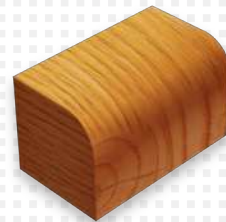


A range of versatile swop-tip[®] cutter to produce a radius bead or ovolo in radii from 8mm to 20mm.

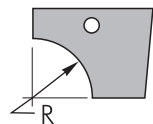
These cutters are supplied with Ovolo knives which have a true radius, however soft-edge[®] arris type knives are also available which have the radius relieved by a tangent at the end of the cut, this avoids the possibility of a hard line when using the cutter to arris timber. Replaceable tip cutters offer the benefit of a constant diameter and easy maintenance without removal from the machine.



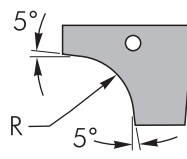
Part Number	ØD	C1	R	OL	Ød	C2
NA1882008	32mm	18.5mm	8mm	80mm	20mm	50mm
NA1882010	36mm	23.5mm	10mm	85mm	20mm	50mm
NA1882012	40mm	23.5mm	12mm	85mm	20mm	50mm
NA1882015	46mm	28.5mm	15mm	90mm	20mm	50mm
NA1882020	56mm	34.0mm	20mm	95mm	20mm	50mm



Spare Parts	Description	Size
NA0051808B	Ovolo knife	R = 8mm
NA0051810B	Ovolo knife	R = 10mm
NA0051812B	Ovolo knife	R = 12mm
NA0051815B	Ovolo knife	R = 15mm
NA0051820B	Ovolo knife	R = 20mm
NA0051808A	Arri knife	R = 8mm
NA0051810A	Arri knife	R = 10mm
NA0051812A	Arri knife	R = 12mm
NA0051815A	Arri knife	R = 15mm
NA0051820A	Arri knife	R = 20mm
TQ406	Screw	M4 x 6
NA0050015	Torx key	T15



Ovolo/round



Arri round

Ød = shank diameter
 ØD = cutting diameter
 OL = overall length
 R = radius
 C1 = maximum cutting depth
 C2 = shank length





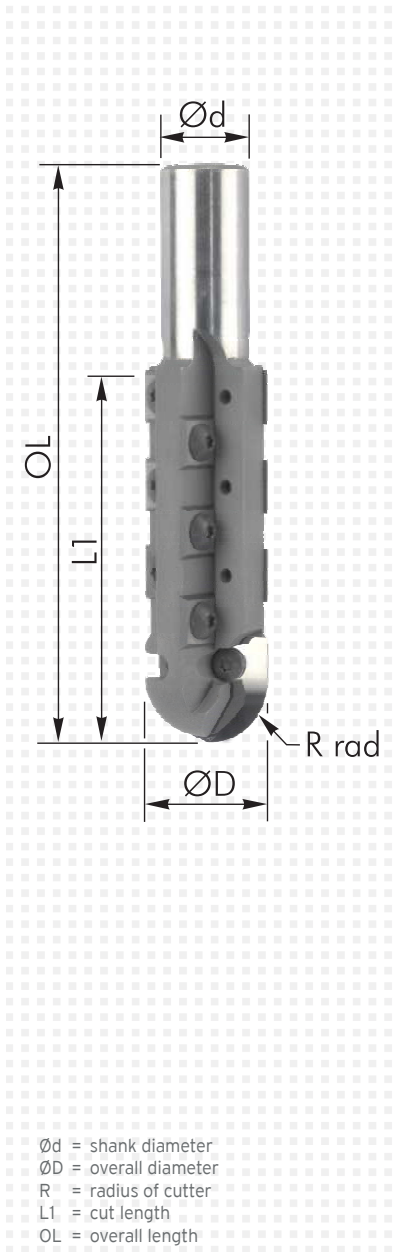
Ball Nose Roughing Swop-tip©

A cutter for deep roughing with a radius on the bottom of the cut. Useful for 3D contouring where deep cuts are required.

Swop-tip© disposable insert ball nose profile cutter with 12 roughing knives. These cutters offer the benefit of constant geometry and easy tip replacement.

Part Number	ØD	Ød	R	L1	OL
NA1932015	30.0mm	20mm	15mm	85mm	130mm

Spare Parts	Description	Size
TK12	TC knife	12 x 12 x 1.5 - quantity 1
TK12B	TC knife	12 x 12 x 1.5 - quantity 10
NA1931014	Radius knife	R = 15mm - quantity 1
TQ405	Clamp screw	M4 x 5 (8mm head) - quantity 1
KT15	Torx key	T15



Ød = shank diameter
 ØD = overall diameter
 R = radius of cutter
 L1 = cut length
 OL = overall length





CNC ROUTER CUTTERS

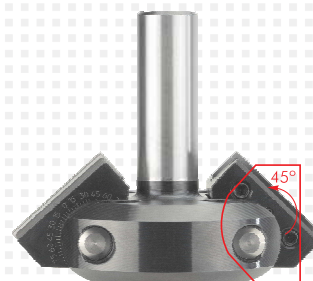
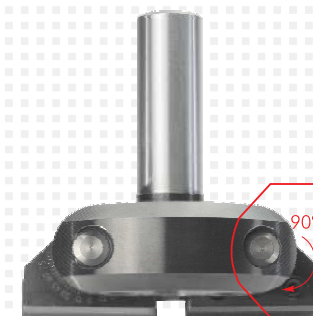
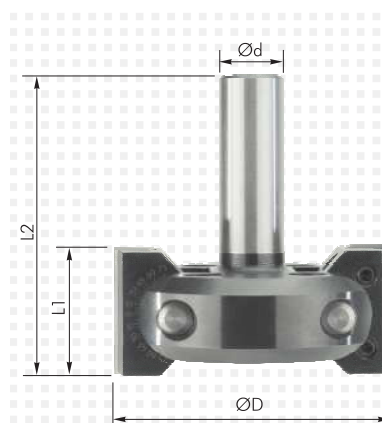
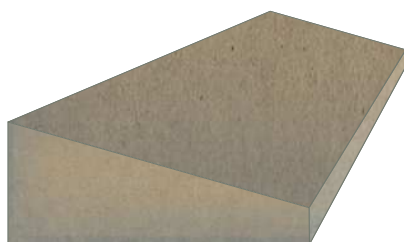
Vari-angle Head Swop-tip©

A cutter head to allow various angles to be cut on 3 axis CNC machines

Swop-tip© replaceable TC knives which are double sided and two are required. The cutting angle is adjustable in 5 degree indented steps or by using the vernier scale in 1 degree increments. The heads will rotate 45 degrees upwards and 90 degrees downwards.

Part Number	ØD	Ød	L1	OL
NV88400200	85-102mm	20mm	39.5mm	90-100mm

Spare Parts	Description	Size
TK39	TC knife	39.5 x 12 x 1.5 - quantity 1
TK39B	TC knife	39.5 x 12 x 1.5 - quantity 10
F003111	Clamp wedge	38mm
F002047	Clamp screw	M6 x 8 - quantity 1
F003134	Hex key	4mm
K30	Hex key	3mm



Ød = shank diameter
 ØD = overall diameter
 L1 = cut length at 90 degrees
 OL = overall length



wealdentool.com

Sales: 01580 890500 Fax: 01580 890222 Email: sales@wealdentool.com



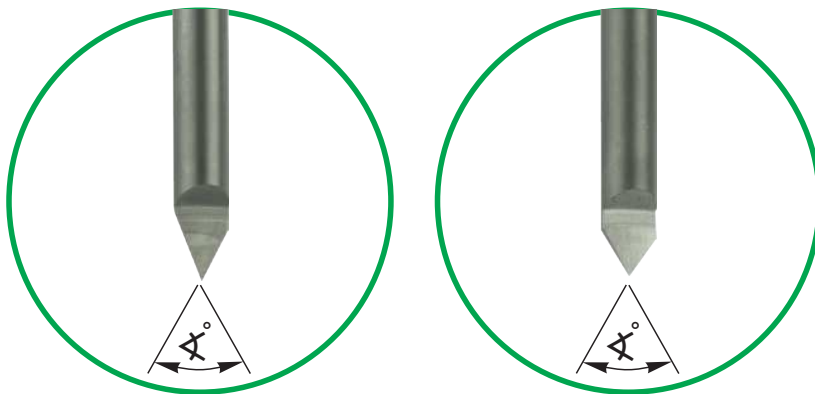
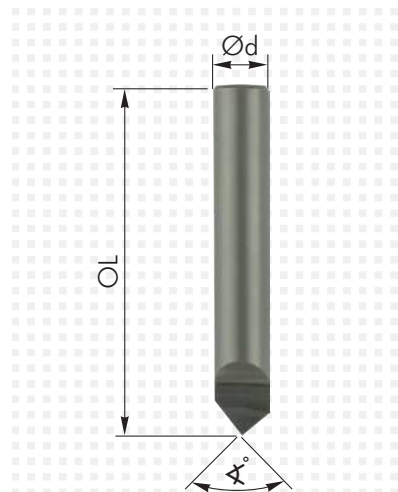
STC ROUTER CUTTERS

Engraving V Bits



Solid carbide single flute engraving bits, available in three different included angles.

Part Number	∠°	OL	Ød
T3S5090	90°	50mm	3mm
T3S5060	60°	50mm	3mm
T3S5045	45°	50mm	3mm
T3S5030	30°	50mm	3mm
NA7600809	90°	60mm	8mm
NA7600806	60°	60mm	8mm
NA7600804	45°	60mm	8mm



Ød = shank diameter
 OL = overall length
 ∠° = included angle

wealdentool.com

Sales: 01580 890500 Fax: 01580 890222 Email: sales@wealdentool.com





CNC ROUTER CUTTERS

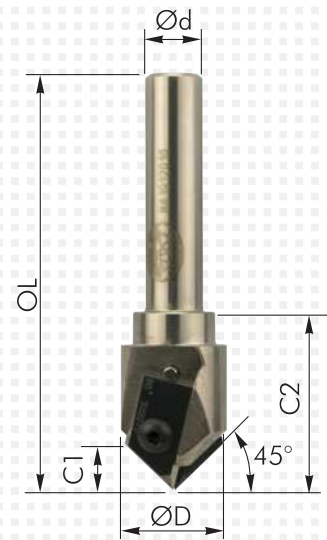
V Groove Engraving Cutter Swop-tip©

Two flute engraving cutters with TC inserts.

These replaceable tip cutters offer the benefit of constant cutter dimensions and easy maintenance without removal from the machine. These cutters will produce a small flat on the bottom of the V.

Part Number	C1	Ød	ØD	C2	OL
NA1912010	10.0mm	12mm	22mm	39mm	88mm

Spare Parts	Description	Size
NA0050190	TC knife	24x12x1.5mm
TQ402	Torx screw	M4.0 x 4mm
KT15	Torx key	T15



Ød = shank diameter
 ØD = overall diameter
 ØD2 = bottom flat
 OL = overall length
 C1 = maximum depth
 C2 = body length



wealdentool.com

Sales: 01580 890500 Fax: 01580 890222 Email: sales@wealdentool.com



CNC ROUTER CUTTERS

V Groove Engraving Cutter Swop-tip©

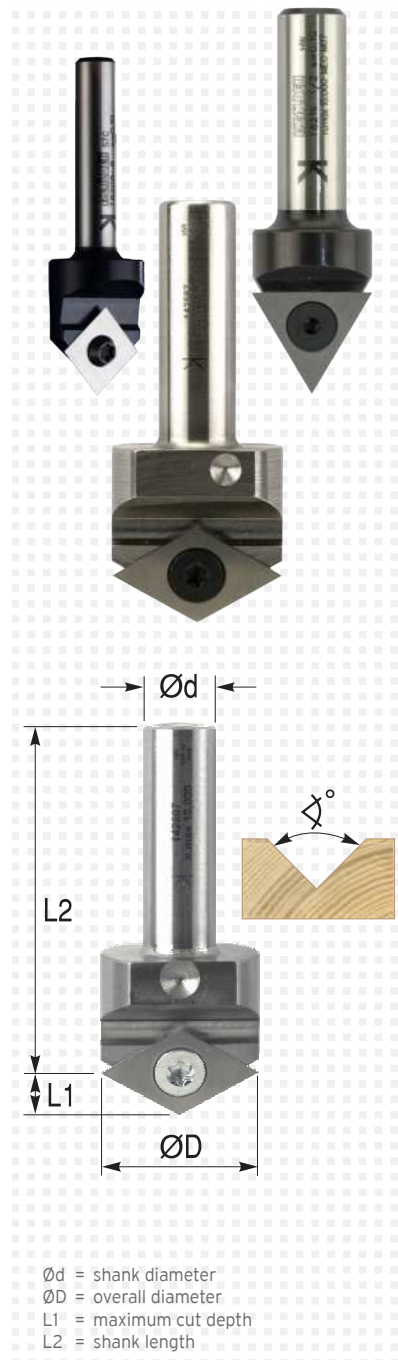
Single flute engraving cutters with replaceable TC inserts.

These replaceable tip cutters offer the benefit of constant cutter dimensions and easy maintenance without removal from the machine. These cutters have a down shear cutting action resulting in a cleaner edge on the top face making them especially suited to cutting difficult materials such as MFC.

Part Number	∠°	ØD	Ød	L1	L2
T8208-8	90°	16.8mm	8.0mm	8.4mm	56mm
T8210-1/2	90°	16.8mm	12.7mm	8.4mm	56mm
T8214-8	60°	22.0mm	8.0mm	19.0mm	56mm
T8216-1/2	60°	22.0mm	12.7mm	19.0mm	56mm
T8225-1/2	120°	27.5mm	12.7mm	8.0mm	62mm

Spare Parts

Cutter Part No.	Blade single	Blade Box of 10	Fixing Screw
T8208/T8210	TK12	TK12B	TQ350
T8214/T8216	TK22	-	TH6010K
T8225	TK120	-	F002065





CNC ROUTER CUTTERS

V-Groove Chamfer Replaceable Tip Cutter

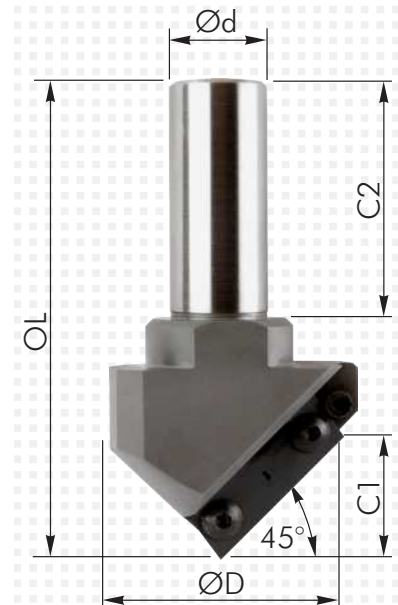


Single flute TC swop-tip[®] cutters for 45° chamfers and V-cuts.

Replaceable tip cutters offer the benefit of a consistent profile and easy maintenance without removal from the machine.

Part Number	ØD	C1	OL	Ød	C2
NA1912019	38mm	19mm	81mm	16mm	50mm
NA1912027	58mm	27mm	105mm	20mm	50mm

Spare Parts	Description	Size
NA0050290	Knife for Ø 38	29x12x1.5mm
NA0050390	Knife for Ø 58	39x12x1.5mm
TQ352	Screw for Ø 38	M3.5 x 5mm
TQ406	Screw for Ø 58	M4 x 6mm
KT15	Torx key	T15



Ød = shank diameter
 ØD = cutting diameter
 OL = overall length
 C1 = cut depth
 C2 = shank length



wealdentool.com

Sales: 01580 890500 Fax: 01580 890222 Email: sales@wealdentool.com



Ball Nose Profile

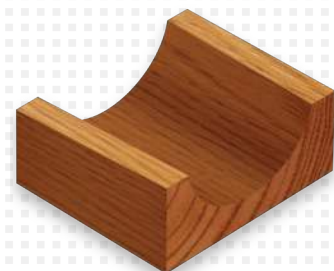
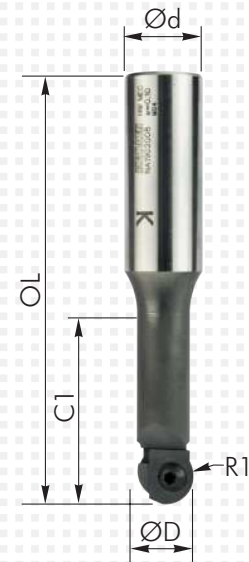


Swop-tip® disposable insert profile cutter with five different sizes of ball nose profile.

Swop-tip® cutters offer the benefit of a constant diameter and easy maintenance without removal from the machine.

Part Number	ØD	R1	OL	Ød	C1
NA1902005	10mm	5.0mm	100mm	20mm	38mm
NA1902006	12mm	6.0mm	100mm	20mm	40mm
NA1902008	16mm	8.0mm	110mm	20mm	50mm
NA1902010	20mm	10.0mm	110mm	20mm	50mm
NA1902015	30mm	15.0mm	115mm	20mm	60mm

Spare Parts	Description	Size
NA1902105	TC Knife	Radius = 5.0mm
NA1902106	TC Knife	Radius = 6.0mm
NA1902108	TC Knife	Radius = 8.0mm
NA1902110	TC Knife	Radius = 10.0mm
NA1902115	TC Knife	Radius = 15.0mm
TQ354	Torx screw	M3.5 x 4.4 
TQ408	Torx screw	M4 x 6 
TQ403	Hex screw	M4 x 8 low cap
TMS0414	Hex screw	M4 x 14 cap
NA0050015	Torx key	T15
K25	Hex key	2.5mm
K30	Hex key	3.0mm



Ød = shank diameter
 R1 = radius
 ØD = cutting diameter
 OL = overall length
 C1 = max cut depth





Arris Rounding/Ovolo



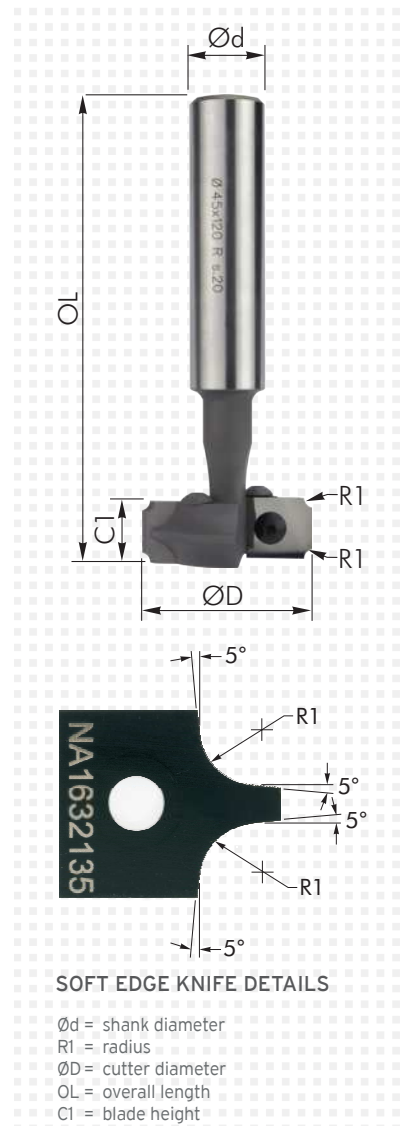
Swop-tip© disposable insert rounding cutter in five radius sizes. All radius size knives are interchangeable on the one body.

Swop-tip© cutters offer the benefit of a constant diameter and easy maintenance without removal from the machine.

Soft Edge Knives© are available as optional extras which feature a lead-in to the radius to help prevent cutting-in when the relationship between the work-piece corner and the cutter varies.

Part Number	ØD	R1	OL	Ød	C1
NA1632002	45mm	2.0mm	120mm	20mm	16mm
NA1632003	45mm	3.0mm	120mm	20mm	16mm
NA1632004	45mm	4.0mm	120mm	20mm	16mm
NA1632005	45mm	5.0mm	120mm	20mm	16mm
NA1632006	45mm	6.0mm	120mm	20mm	16mm

Spare parts	Description	Size
NA1632102	TC Rounding knife x 1	Radius = 2.0mm
NA1632103	TC Rounding knife x 1	Radius = 3.0mm
NA1632104	TC Rounding knife x 1	Radius = 4.0mm
NA1632105	TC Rounding knife x 1	Radius = 5.0mm
NA1632106	TC Rounding knife x 1	Radius = 6.0mm
NA1632132	TC Soft Edge knife x 1	Radius = 2.0mm
NA1632133	TC Soft Edge knife x 1	Radius = 3.0mm
NA1632134	TC Soft Edge knife x 1	Radius = 4.0mm
NA1632135	TC Soft Edge knife x 1	Radius = 5.0mm
TQ406	Torx screw	M4 x 6
NA0050015	Torx key	T15





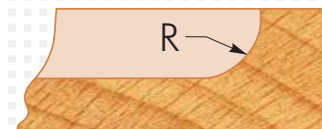
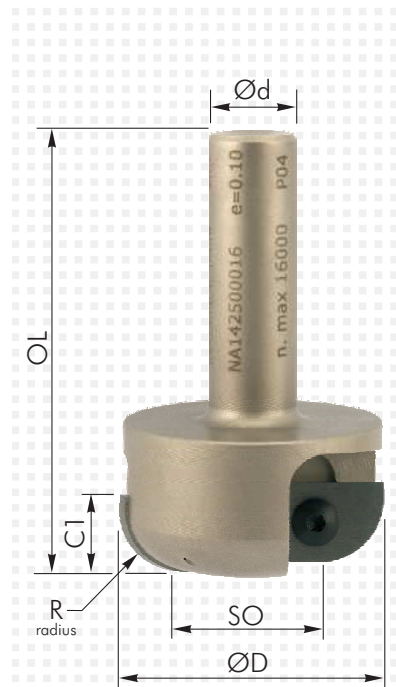
Cove Surfacing



A two flute Swop-tip[®] disposable insert cutter to produce recesses with a flat bottom and radiused corners. This cutter overcomes the need for separate cutters for the radius and clearing out, thus eliminating problems of height alignment.

Various radius options are available and different radius knives may be fitted to the same cutter body.

Part Number	R radius	ØD	C1	OL	Ød	SO
NA142500516	5mm	50mm	15mm	80mm	16mm	38mm
NA142500816	8mm	50mm	15mm	80mm	16mm	32mm
NA142501016	10mm	50mm	15mm	80mm	16mm	28mm
NA142501216	12mm	50mm	15mm	80mm	16mm	24mm



Ød = shank diameter
 ØD = cutting diameter
 OL = overall length
 C1 = blade height
 R = cove radius
 SO = maximum step over

Spare Parts	Description	Size
NA1420005	TC knife	R5 L20 x H15 x T1.5 - quantity 1
NA1420008	TC knife	R8 L20 x H15 x T1.5 - quantity 1
NA1420010	TC scribe	R10 L20 x H15 x T1.5 - quantity 1
NA1420012	TC knife	R12 L20 x H15 x T1.5 - quantity 1
TQ406	Blade screw	M4 x 6 - (8.5mm head)
KT15	Torx key	T15

wealdentool.com

Sales: 01580 890500 Fax: 01580 890222 Email: sales@wealdentool.com





Dish Panel Mould

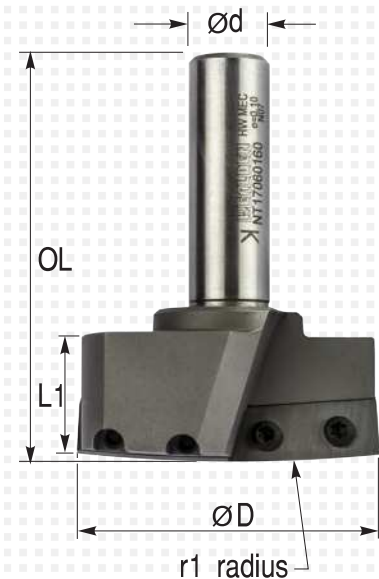


A two flute cutter with replaceable TC tips to produce shallow dished mouldings. The TC tips have an up-shear configuration and extend to the centre line of the cutter. The Swop-Tip® knives make this an economical choice when working with abrasive materials.

Replaceable tip cutters offer the benefit of a consistent profile and easy maintenance without removal from the machine.

Part Number	ØD	L1	Ød	OL	r1
NT17060160	58mm	24mm	16mm	80mm	300mm

Spare Parts	Description	Size
NA0017030	Profile Knife	29.4x11x1.5mm
TQ408	Fixing Screw	M4 x 6 (6mm head)
KT15	Torx Key	T15



Ød = shank diameter
 ØD = cutting diameter
 OL = overall length
 L1 = height
 C2 = profile radius



wealdentool.com

Sales: 01580 890500 Fax: 01580 890222 Email: sales@wealdentool.com



Stair Trenching

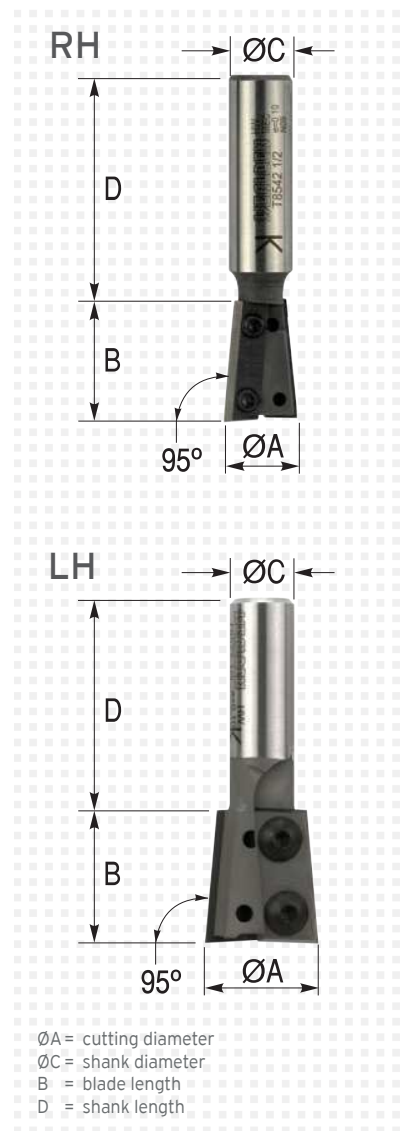


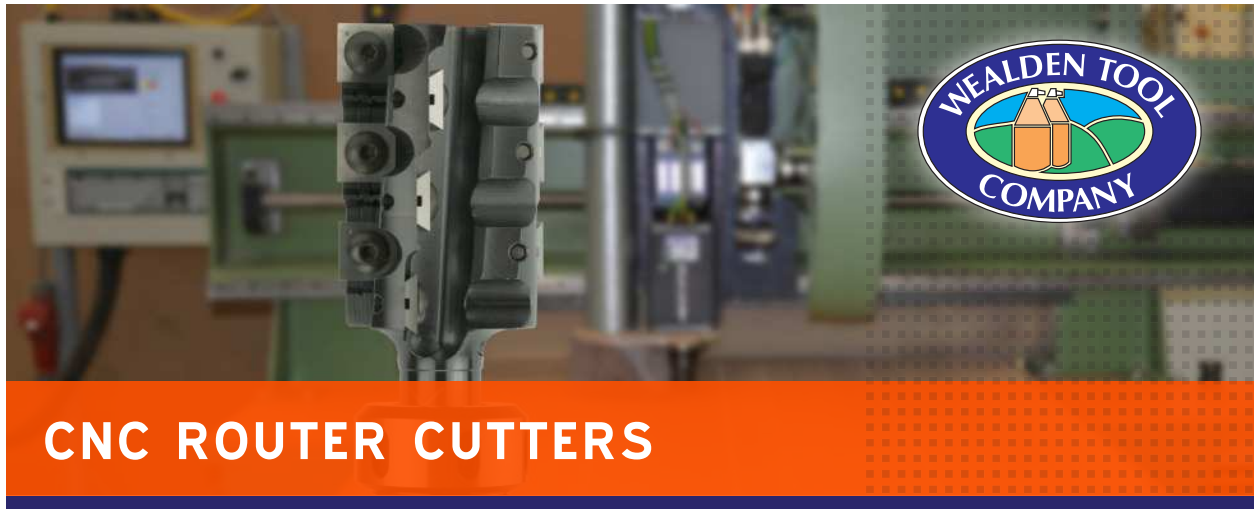
These Swop-tip[®] stair housing router cutters have TC replaceable knives, offering a cost effective solution on abrasive materials.

Replaceable tip cutters offer the benefit of a constant diameter and easy maintenance without removal from the machine. All blades are double sided except TK5727, so may be rotated for extra economy. All sizes are available for RH rotation, and a limited range is available for LH rotation.

Part Number	ØA	B	ØC	D	Spare blade part number
RH rotation					
T8542-1/2	16.0mm	23.0mm	1/2"	42mm	TK5727
T8545-1/2	19.0mm	25.4mm	1/2"	40mm	TK5730
T8547-1/2	22.0mm	25.4mm	1/2"	40mm	TK5742
T8550-1/2	25.4mm	25.4mm	1/2"	40mm	TK5742
LH rotation					
T8577-1/2	22.0mm	25.4mm	1/2"	40mm	TK5842

Spare Parts	Description
TK5727	Swop-tip blade 23 x 7 x 1.5 single sided RH (quantity 1)
TK5730	Swop-tip blade 23 x 7 x 1.5 single sided RH (quantity 1)
TK5742	Swop-tip blade 23 x 7 x 1.5 single sided RH (quantity 1)
TK5842	Swop-tip blade 23 x 7 x 1.5 single sided RH (quantity 1)
TQ304	Torx screw M3 x 4 (4.6mm head) for T8542
TQ401	Torx screw M4 x 6 (5.5mm head) for T8545
TQ406	Torx screw M4 x 6 (8.5mm head) for T8547, T8550 & T8577





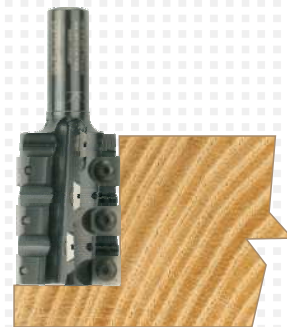
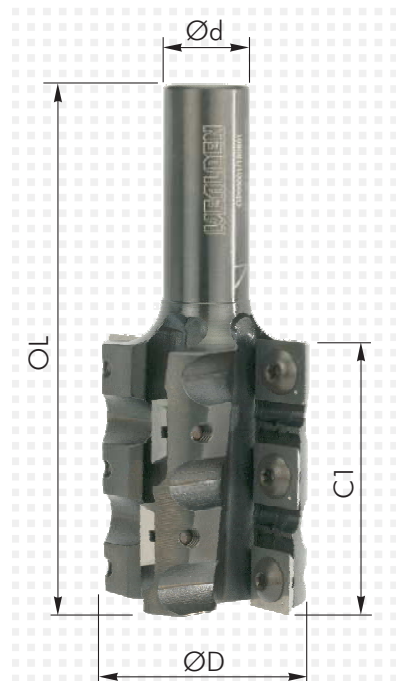
Roughing/Hogging Swop-tip[®]



These four flute disposable insert cutters achieve high removal rates when roughing and profiling large sections. Replaceable tip cutters offer the benefit of a constant diameter and easy maintenance.

For pre-cutting, jointing and rabbeting. Rotatable TC knives, with shear angle in spiral design for fast hogging and excellent chip removal. Spiral tip design reduces the cutting forces and is ideal for deep hogging depths. The cutters are for roughing only: subsequent finishing or profiling may be required. They do not produce a planed finish. Very high removal rates are possible with this tooling. Maximum rotational speed for these cutters is 16,000 rpm.

Part Number	ØD	C1	C2	OL	Ød	knives
NA186506220	50mm	62mm	50mm	120mm	20mm	10
NA186507420	50mm	74mm	50mm	134mm	20mm	12
NA186508620	50mm	86mm	50mm	145mm	20mm	14



Ød = shank diameter
 ØD = cutting diameter
 OL = overall length
 C1 = blade height

Spare Parts	Description	Size
NA0055143	TC knife	14.3 x 14.3 x 2.8 cross - quantity 1
NA0055143B	TC knife	14.3 x 14.3 x 2.8 cross - quantity 10
TQ415	Blade screw	M5 x 7.5mm - (10.5mm head)
F002090	Torx key	T20



wealdentool.com

Sales: 01580 890500 Fax: 01580 890222 Email: sales@wealdentool.com

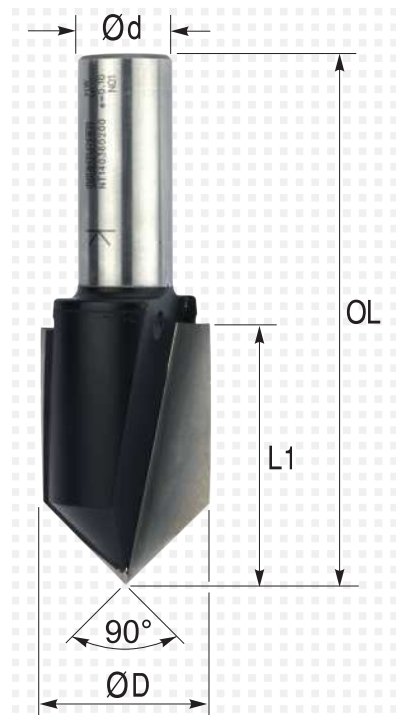


Chamfer plunge cutter

A two flute TC tipped cutter with a 90 degree V point. Can be used on 5 axis machines to square out radiused corners to form square cornered recesses. The TC tips form an exact V point.

Part Number	ØD	L1	OL	Ød
NT140360200	36mm	55mm	105mm	20mm

Ød = shank diameter
 ØD = cutting diameter
 OL = overall length
 L1 = blade length

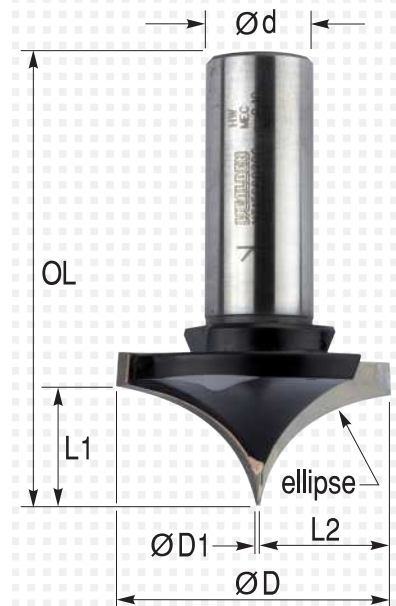


Handrail ellipse cutter

A two flute TC tipped cutter with an elliptical profile suitable for moulding handrail section top profile and scrolls.

Part Number	ØD	L1	L2	Ød	OL	ØD1
NT15600200	60mm	21mm	29mm	20mm	83mm	1.5mm

Ød = shank diameter
 ØD = cutting diameter
 OL = overall length
 L1 = ellipse height
 L2 = ellipse width
 ØD1 = point diameter



wealdentool.com

Sales: 01580 890500 Fax: 01580 890222 Email: sales@wealdentool.com





CNC ROUTER CUTTERS

Groovers & Arbors

These groovers, when used with the accompanying arbors, will enable the machining of horizontal grooves on CNC machines. The design of the cutters enables grooves to be cut right down to the spoil board.

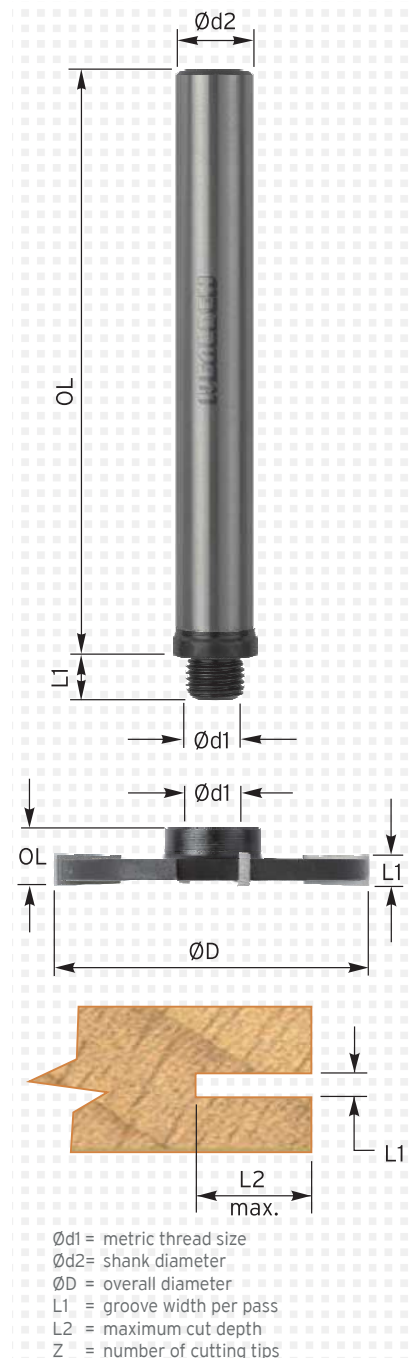
Groovers and arbors are sold separately. You will need to select a groover plus an arbor, if you don't already have one. These cutters need to be run at 12,000 to 14,000 rpm with a feed rate of 10 - 20 m/min. Many of the weatherseal groovers from our hand routing range may be used on CNC machines in combination with the arbors listed here. Please contact our technical department for more information.

Groovers

Part Number	L1	OL	ØD	Thread Ød1	L2	Z flutes
NA1584020	2mm	10mm	60mm	m12	20mm	4
NA1584040	4mm	10mm	60mm	m12	20mm	4
NA1584060	6mm	10mm	60mm	m12	20mm	4
NA1584100	10mm	10mm	60mm	m12	20mm	4
T5905	5mm	9mm	75mm	m12	27.5mm	6

Arbors

Part Number	L1	OL	Shank Ød2	Thread Ød1
T3062 - 1/2	9/12mm	70mm	1/2"	m12
NA1586120	9mm	120mm	16mm	m12
NA1580130	8mm	120mm	20mm	m12





TCT ROUTER CUTTERS

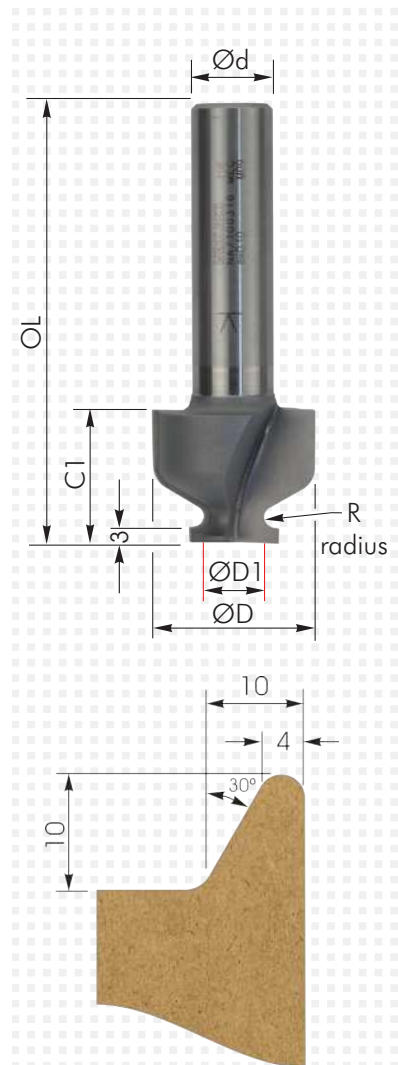
Handleless drawer/door cutter

This two flute TC tipped cutter can be used to produce the normal handleless drawer edge or, alternatively, to create a recess towards the centre of the drawer or door.

The cutter moulds the recess from the rear of the door and, when used with the separate rear insert, overcomes the issues with painting into the finger grip from the front. The profile ensures a good grip recess even on 18mm or 22mm thick MDF.

Inserts in contrasting materials or colours may be used, offering the opportunity for unique designs and shapes.

Part Number	ØD	ØD1	C1	Ød	OL	R
NA7100316	32mm	12mm	26mm	16mm	86mm	2mm



- Ød = shank diameter
- ØD = overall diameter
- ØD1 = minimum diameter
- OL = overall length
- C1 = cutter height
- R = edge radius





CNC ROUTER CUTTERS

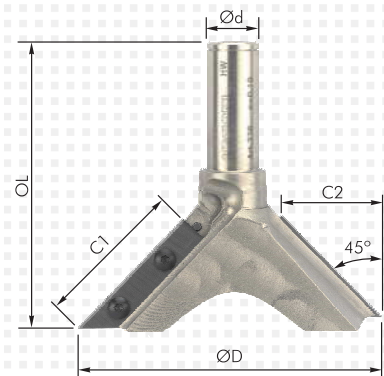
Under-cut/Chamfer 45 degree

A two flute cutter to produce 45 degree under-cut chamfers.

The tool features Swop-tip® replaceable TC knives which are single sided and two are required. Suitable for working in softwoods, hardwoods and man-made boards.

Part Number	ØD	Ød	C1	C2	OL
NA1942058	122mm	20mm	58mm	41mm	112mm

Spare Parts	Description	Size
NA1941059	TC knife	58 x 12 x 1.5 - quantity 1
TQ332	Fixing screw	M3.5 x 5 x 8.6mm head - quantity 1
KT15	Torx key	T15



- Ød = shank diameter
- ØD = overall diameter
- C1 = cut length at 45 degrees
- C2 = cut length horizontal
- OL = overall length



wealdentool.com

Sales: 01580 890500 Fax: 01580 890222 Email: sales@wealdentool.com



CNC ROUTER CUTTERS

Adjustable Grooving Cutter

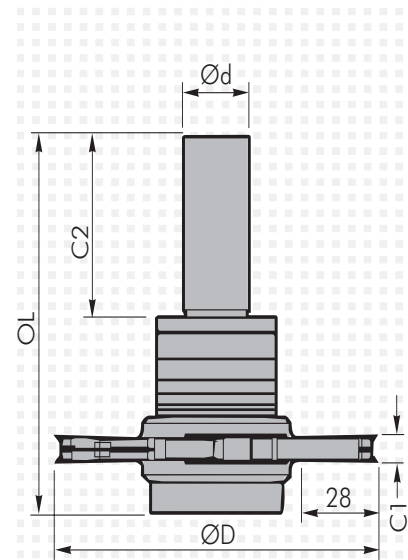


Hard-wearing steel body complete with disposable tungsten carbide knives and scorers for improved finish. Suitable for producing various thickness grooves and slots in softwood, hardwood and man-made boards (with or without coating). N.B. Maximum speed 8,000 r.p.m.

Cutting width can be adjusted in 0.25mm steps by using spacer rings supplied. Replaceable inserts ensure a constant cutting diameter and finish quality.

Part Number	ØD	C1	OL	Ød	C2
NA6171420	140mm	4 - 15.5mm	95mm	20mm	50mm

Spare Parts	Description	Size
NA6171408	Shim set	2 each 0.25mm, 0.5mm, 1mm, 2mm
F000455	TC knife	18 x 18 x 1.95
F000470	TC scribe	14 x 14 x 1.2
F000450	TC knife	7.5 x 12 x 1.5



Ød = shank diameter
 ØD = cutting diameter
 OL = overall length
 C1 = groove width
 C2 = shank length





Aluminium Helical Flute Up Cut - STC

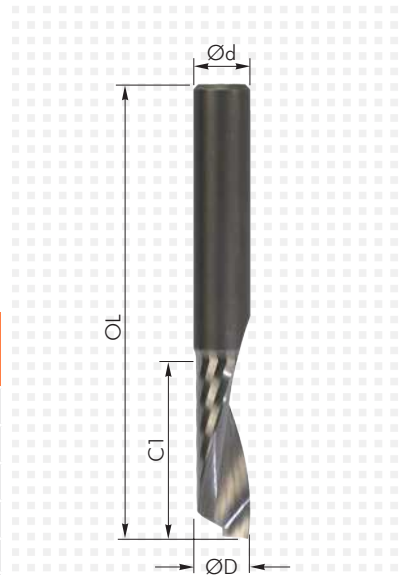
A range of helical fluted up-cut solid tungsten carbide cutters specially ground for cutting aluminium up to 10mm in thickness. The following parameters should be used as a starting point guide when machining aluminium.

For sheet and thin profiles up to 3mm thickness:

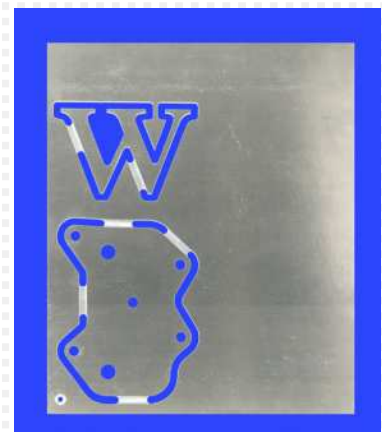
cut dry at 14,000 rpm and 4-5 metres/minute

For sheet and plate over 3mm thickness:

cut with a lubricant at 18,000 rpm and 1.5-2.5 metres/minute



Part Number	ØD mm	ØD inch	C1	Ød	OL	Flutes	Price (Ex VAT)
NCU0301203	3.00	0.118	12mm	3mm	50mm	1	£12.55
NCU0401204	4.00	0.157	12mm	4mm	50mm	1	£14.00
NCU0501705	5.00	0.196	17mm	5mm	50mm	1	£17.90
NCU0602206	6.00	0.236	22mm	6mm	60mm	1	£23.60
NCU0602706	6.00	0.236	27mm	6mm	60mm	1	£25.70
NCU0802208	8.00	0.315	22mm	8mm	70mm	1	£27.40
NCU0803208	8.00	0.315	32mm	8mm	80mm	1	£29.40
NCU1003210	10.00	0.394	32mm	10mm	80mm	1	£36.40
NCU1203212	12.00	0.472	32mm	12mm	80mm	1	£51.30



Ød = shank diameter
 ØD = cutting diameter
 OL = overall length
 C1 = blade length



wealdentool.com

Sales: 01580 890500 Fax: 01580 890222 Email: sales@wealdentool.com



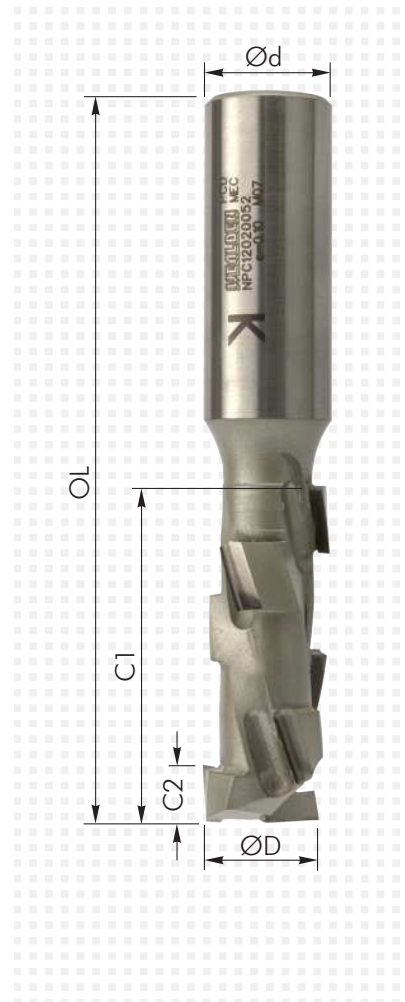
PCD ROUTER CUTTERS

PCD Compression – Econotip

Economical disposable cutters featuring micro polished PCD flutes with a TC plunge tip. It is not possible to re-sharpen these cutters.

Standard RH rotation segmented spiral flute cutters with PCD tips in up-down shear configuration for nesting on abrasive materials. This configuration gives a good finish on both edges of the board.

Part Number	ØD mm	C1 mm	Ød mm	OL mm	C2 mm	Tips PCD/TC
NPC11011025	10.0	25	10	76	10	2 + 1
NPC11212025	12.0	25	12	76	10	3 + 1
NPC11212035	12.0	35	12	83	10	4 + 1
NPC12016025	16.0	25	20	87	10	3 + 1
NPC12016035	16.0	35	20	96	10	4 + 1
NPC12016044	16.0	44	20	105	10	5 + 1
NPC12016052	16.0	52	20	113	10	6 + 1
NPC12018025	18.0	25	20	87	10	3 + 1
NPC12018035	18.0	35	20	96	10	4 + 1
NPC12018044	18.0	44	20	105	10	5 + 1
NPC12018052	18.0	52	20	113	10	6 + 1
NPC12020025	20.0	25	20	87	10	3 + 1
NPC12020035	20.0	35	20	96	10	4 + 1
NPC12020044	20.0	44	20	105	10	5 + 1
NPC12020052	20.0	52	20	113	10	6 + 1



Ød = shank diameter
 ØD = cut diameter
 OL = overall length
 C1 = cutting length
 C2 = up-shear length

wealdentool.com

Sales: 01580 890500 Fax: 01580 890222 Email: sales@wealdentool.com





PCD ROUTER CUTTERS

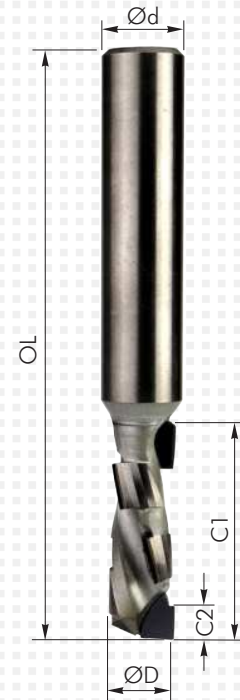
PCD Performance Pro Spiral Compression

High performance cutters with micro polished PCD tips on Densimet/Triamet® shanks.

These high feed rate production cutters feature a high rigidity body and segmented spiral flutes with PCD tips in up-down shear configuration. Designed for nesting and production sizing on MFC (furniture board), this configuration gives a good finish on both edges of the board. PCD outlives tungsten carbide by well over 40-60 times. Extended life cuts down set-up time and PCD offers reliable high quality finish and accuracy on abrasive materials, which will take the edge off tungsten carbide cutters. This cutter range is available in standard RH (clockwise) rotation or a limited range of sizes is available in LH (anti-clockwise) rotation.

Take care when ordering.

Part Number	ØD mm	C1 mm	Ød mm	OL mm	C2 mm	Tips DN/UP	Rotation
NSC11208019	8.0	18	12	70	5	2 + 1	Right hand
NSC11208021	8.0	21	12	70	5	2 + 1	Right hand
NSC11208025	8.0	25	12	70	5	3 + 1	Right hand
NSC11210025	10.0	25	12	70	5	3 + 1	Right hand
NSC11210033	10.0	33	12	90	5	?? + ??	Right hand
NSC11212027	12.0	27	12	80	5	?? + ??	Right hand
NSC11616030	16.0	30	16	90	5	6 + 2	Right hand
NSC21616030	16.0	30	16	90	5	6 + 2	Left hand



Ød = shank diameter
 ØD = cut diameter
 OL = overall length
 C1 = cutting length
 C2 = up-shear length

CARE & USE OF PCD

Polycrystalline Diamond has a high abrasive resistance, yet it can easily be damaged. If cutters are dropped, knocked or otherwise abused irreparable damage may be caused.



wealdentool.com

Sales: 01580 890500 Fax: 01580 890222 Email: sales@wealdentool.com



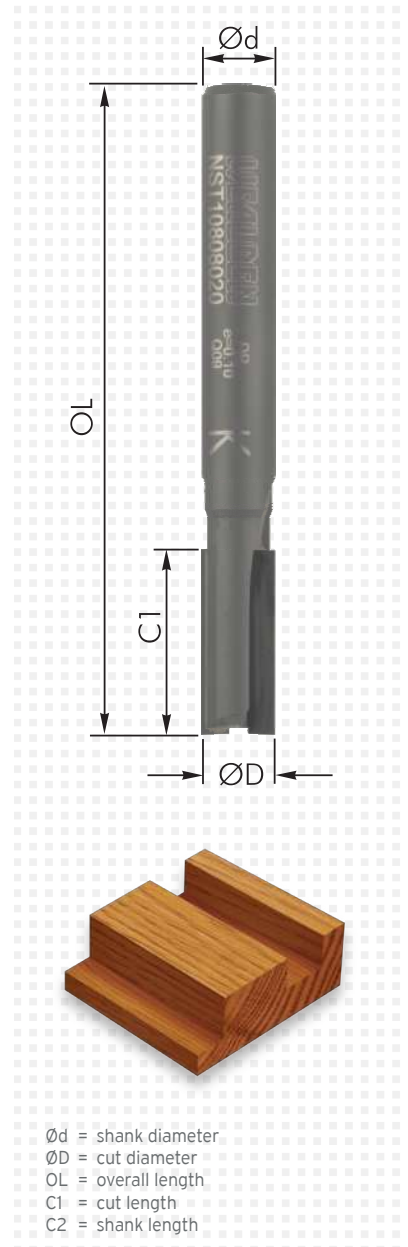
PCD ROUTER CUTTERS

Straight 2 flute cutter PCD

Cutters featuring fine grain PCD micro polished tips offer extended life when machining abrasive materials.

These straight two flute cutters have solid tungsten carbide bodies with PCD (polycrystalline diamond) tips for increased wear resistance when cutting abrasive materials. The Super-life© straight tips have no shear action and the continuous un-segmented blades overcome the edge lines commonly seen when using segmented PCD cutters.

Part Number	ØD	C1	Ød	OL
NST10606020	6.0mm	20mm	8mm	70mm
NST10808020	8.0mm	20mm	8mm	70mm





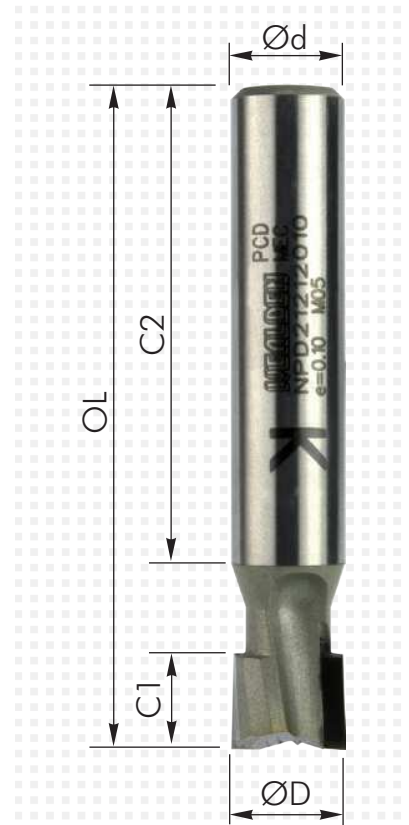
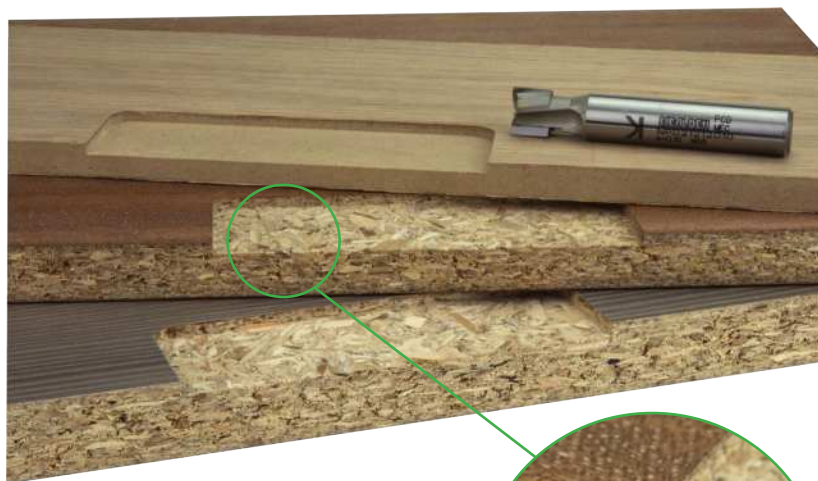
PCD ROUTER CUTTERS

Down-shear 2 flute cutter PCD

Cutters featuring fine grain PCD micro polished tips offer extended life when machining abrasive materials.

Two fluted cutters with PCD tips in a down-shear configuration for shallow recessing on abrasive material. The down-shear gives a clean cut on the top edge of the board.

Part Number	ØD	C1	Ød	OL	C2
NPD11208010	8.0mm	10mm	12mm	70mm	50mm
NPD11210010	10.0mm	13mm	12mm	70mm	50mm
NPD11212010	12.0mm	13mm	12mm	70mm	50mm
NPD11616010	16.0mm	13mm	16mm	70mm	50mm



- Ød = shank diameter
- ØD = cut diameter
- OL = overall length
- C1 = cut length
- C2 = shank length



wealdentool.com

Sales: 01580 890500 Fax: 01580 890222 Email: sales@wealdentool.com



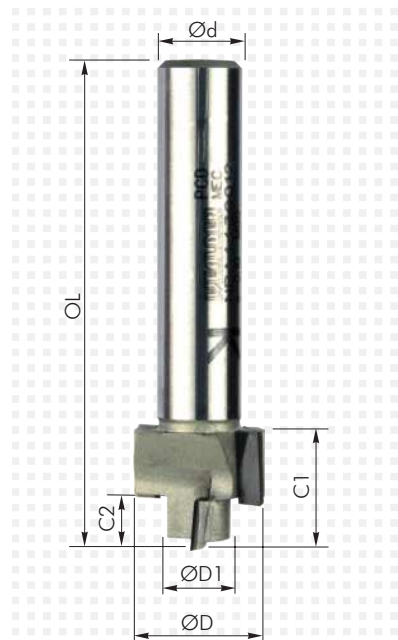
PCD ROUTER CUTTERS

Bookcase strip compression cutter PCD

Cutters featuring fine grain PCD micro polished tips offer extended life when machining abrasive materials.

These cutters have PCD tips arranged with up-shear on the groove cutter for better waste clearance and down-shear on the rebate cutter for a clean finish on the top edge of the board.

Part Number	ØD	ØD1	C1	Ød	OL	C2
NPA4430012	19.5mm	10mm	16mm	12mm	66mm	6mm



- Ød = shank diameter
- ØD = rebate diameter
- ØD1 = clearance diameter
- OL = overall length
- C1 = clearance depth
- C2 = maximum depth

wealdentool.com

Sales: 01580 890500 Fax: 01580 890222 Email: sales@wealdentool.com





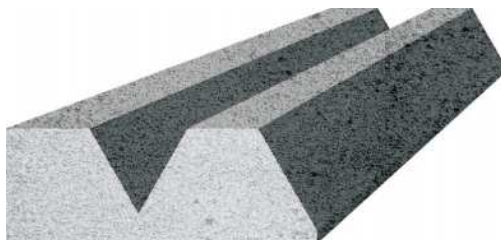
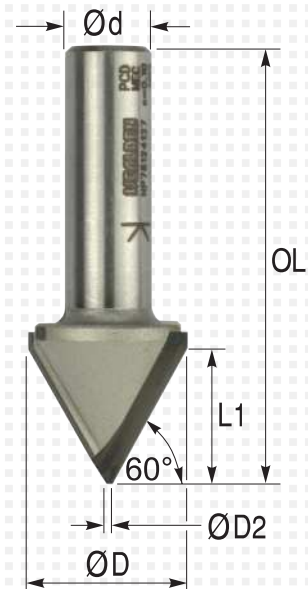
PCD ROUTER CUTTERS

V Groove Engraving Cutter PCD

Cutters featuring fine grain PCD micro polished tips offer extended life when machining abrasive materials.

These V cutters have PCD tips and may be used for grooving or chamfering edges. They provide extended tool life when machining difficult or abrasive materials.

Part Number	ØD	L1	Ød	ØD2	OL
NP76124127	24.0mm	20mm	1/2"	1.2mm	64mm



Ød = shank diameter
 ØD = overall diameter
 ØD2= bottom flat
 OL = overall length
 L1 = maximum depth



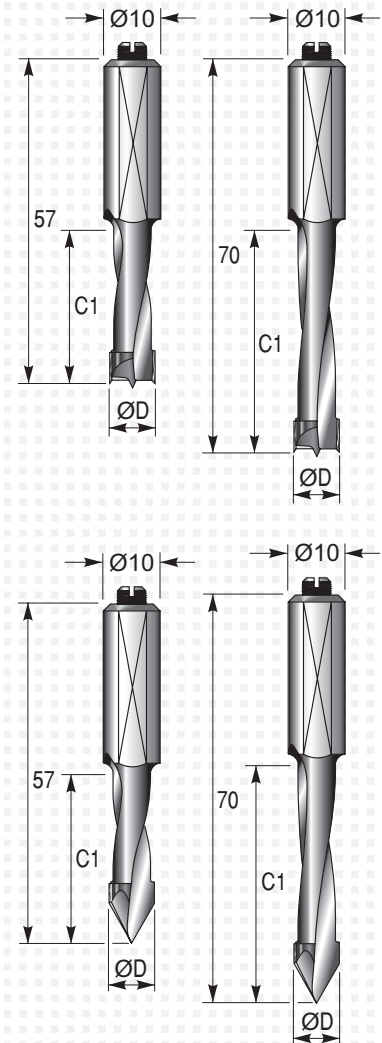


TCT DRILLING TOOLING

Dowel drills

Multi-boring dowel drills with TC tips.
The drills have 10mm cylindrical shank with flat and length adjustment screw.

RH Part Number	LH Part Number	ØD	C1
LIP & SPUR – 57mm length			
DD57030R	DD57030L	3.0mm	25mm
DD57040R	DD57040L	4.0mm	25mm
DD57050R	DD57050L	5.0mm	25mm
DD57060R	DD57060L	6.0mm	25mm
DD57070R	DD57070L	7.0mm	25mm
DD57075R	DD57075L	7.5mm	25mm
DD57080R	DD57080L	8.0mm	25mm
DD57095R	DD57095L	3/8"	25mm
DD57100R	DD57100L	10.0mm	25mm
DD57120R	DD57120L	12.0mm	25mm
DD57150R	DD57150L	15.0mm	25mm
DD57160R	DD57160L	16.0mm	25mm
DD57170R	DD57170L	17.0mm	25mm
LIP & SPUR – 70mm length			
DD70030R	DD70030L	3.0mm	32mm
DD70040R	DD70040L	4.0mm	35mm
DD70050R	DD70050L	5.0mm	35mm
DD70060R	DD70060L	6.0mm	35mm
DD70063R	DD70063L	6.35mm	35mm
DD70075R	DD70075L	7.5mm	35mm
DD70080R	DD70080L	8.0mm	35mm
DD70095R	DD70090L	9.53mm	35mm
DD70100R	DD70100L	10.0mm	35mm
DD70120R	DD70120L	12.0mm	35mm
DD70127R	DD70127L	12.7mm	35mm
V POINT 60° – 57mm length			
DV57040R	DV57040L	4.0mm	25mm
DV57050R	DV57050L	5.0mm	25mm
DV57060R	DV57060L	6.0mm	25mm
DV57080R	DV57080L	8.0mm	25mm
DV57100R	DV57100L	10.0mm	25mm
DV57120R	DV57120L	12.0mm	25mm
V POINT 60° – 70mm length			
DV70040R	DV70040L	4.0mm	35mm
DV70050R	DV70050L	5.0mm	35mm
DV70060R	DV70060L	6.0mm	35mm
DV70075R	DV70075L	7.5mm	35mm
DV70100R	DV70100L	10.0mm	35mm
DV70120R	DV70120L	12.0mm	35mm



ØD = drilling diameter
C1 = flute length



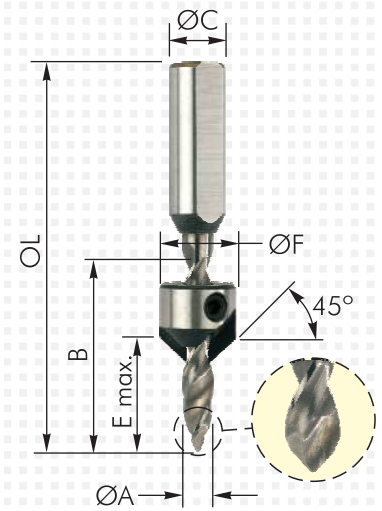


TC DRILLING TOOLING

Dowel drills with adjustable countersink

Multi-boring dowel drills with solid TC drills and progressive V point to ensure a clean entry and exit hole. The TC tipped countersink can be adjusted along the drill length and locked in position with a screw. The drills have 10mm cylindrical shanks with a flat and a length adjustment screw. They may also be used in CNC machines with the aid of our CNC drill adaptor, part number DD510016.

Part Number	ØA mm	B mm	ØC mm	OL mm	E max mm	ØF mm
RH rotation						
DG7035050R	5.0	35	10.0	70	28	14
DG7035055R	5.5	35	10.0	70	28	14



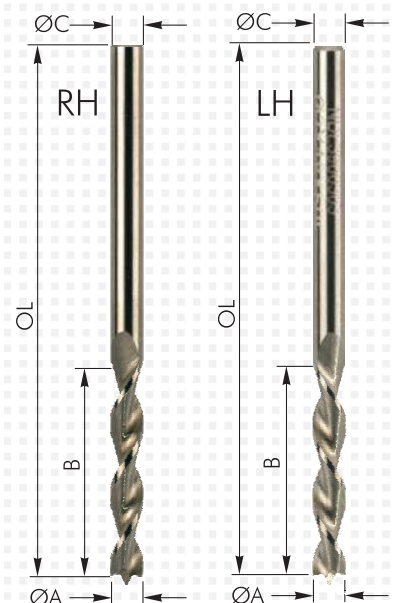
ØA = drilling dia. | OL = overall length
 B = flute length | E = maximum depth
 ØC = shank dia. | ØF = countersink dia.

STC lip & spur drills

A range of solid tungsten carbide drills in small sizes for drilling in abrasive timber and man made boards. The lip and spur point ensures a clean entry cut. Chucks are available for mounting them in multi-boring or CNC machines.

These drills are available in either RH or LH rotation.

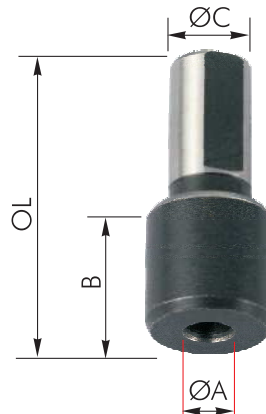
Part Number	ØA mm	B mm	ØC mm	OL mm
RH rotation				
NDR3900202	2.0	18	2.0	50
NDR3900303	3.0	18	3.0	50
NDR3900404	4.0	20	4.0	50
NDR3900505	5.0	25	5.0	50
LH rotation				
NDL3900202	2.0	18	2.0	50
NDL3900303	3.0	18	3.0	50
NDL3900404	4.0	20	4.0 <td 50	
NDL3900505	5.0	25	5.0	50



ØA = drilling dia.
 B = flute length
 ØC = shank dia.
 OL = length

Multi-boring drill chucks

Part Number	ØA mm	B mm	ØC mm	OL mm
DD519020	2.0	15	10	35
DD519030	3.0	15	10	35
DD519040	4.0	15	10	35
DD519050	5.0	15	10	35





TCT DRILLING TOOLING

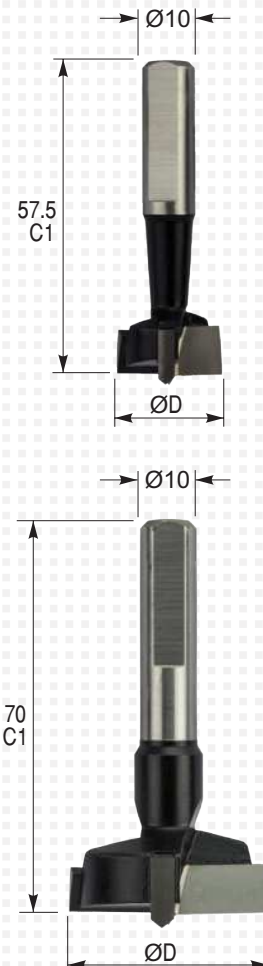
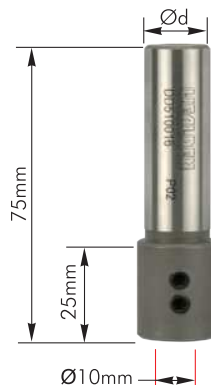
Cylinder boring drills

Tungsten carbide tipped boring bits with 2 pointed spurs, centring point and two blades. The drills have 10mm cylindrical shank with flat and length adjustment screw. For use on multi-borers, automatics and CNC machines. Suitable for cutting hard wood, soft wood and man made boards. A drill adaptor is also available to enable 10mm shank drills to be fitted in 1/2" or 16mm collets.

RH Part Number	LH Part Number	ØD	C1
CYLINDER bits- 57.5mm length (z = 2+2)			
DS57015R	DS57015L	15.0mm	57.5mm
DS57016R	DS57016L	16.0mm	57.5mm
DS57017R	DS57017L	17.0mm	57.5mm
DS57018R	DS57018L	18.0mm	57.5mm
DS57020R	DS57020L	20.0mm	57.5mm
DS57022R	DS57022L	22.0mm	57.5mm
DS57024R	DS57024L	24.0mm	57.5mm
DS57025R	DS57025L	25.0mm	57.5mm
DS57026R	DS57026L	26.0mm	57.5mm
DS57028R	DS57028L	28.0mm	57.5mm
DS57030R	DS57030L	30.0mm	57.5mm
DS57032R	DS57032L	32.0mm	57.5mm
DS57035R	DS57035L	35.0mm	57.5mm
DS57040R	DS57040L	40.0mm	57.5mm

CYLINDER bits - 70mm length (z = 2+2)			
DS70015R	DS70015L	15.0mm	70.0mm
DS70016R	DS70016L	16.0mm	70.0mm
DS70018R	DS70018L	18.0mm	70.0mm
DS70020R	DS70020L	20.0mm	70.0mm
DS70025R	DS70025L	25.0mm	70.0mm
DS70026R	DS70026L	26.0mm	70.0mm
DS70030R	DS70030L	30.0mm	70.0mm
DS70035R	DS70035L	35.0mm	70.0mm
DS70040R	DS70040L	40.0mm	70.0mm

Part Number	Ød
DRILL ADAPTOR	
DD510013	1/2"
DD510016	16mm



ØD = drilling diameter
C1 = overall length





COLLETS ER SERIES

ER Collets series 20-25-32-40

High precision collets for EN series tool holders. Manufactured to DIN6499/B.

ER20

Ød shank	Part number
3mm	NER2000030
1/8"	NER2000032
4mm	NER2000040
5mm	NER2000050
6mm	NER2000060
1/4"	NER2000063

Ød shank	Part number
8mm	NER2000080
3/8"	NER2000095
10mm	NER2000100
12mm	NER2000120
1/2"	NER2000127
13mm	NER2000130

ER25

Ød shank	Part number
3mm	NER2500030
1/8"	NER2500032
4mm	NER2500040
5mm	NER2500050
6mm	NER2500060
1/4"	NER2500063
8mm	NER2500080

Ød shank	Part number
3/8"	NER2500095
10mm	NER2500100
12mm	NER2500120
1/2"	NER2500127
13mm	NER2500130
14mm	NER2500140
16mm	NER2500160

ER32

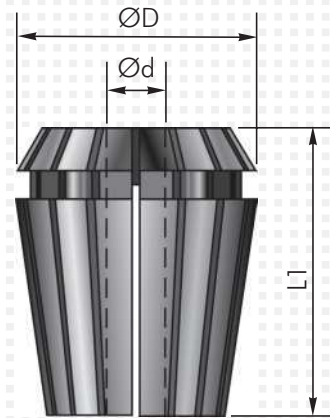
Ød shank	Part number
3mm	NER3200030
4mm	NER3200040
5mm	NER3200050
6mm	NER3200060
1/4"	NER3200063
8mm	NER3200080
3/8"	NER3200095
10mm	NER3200100

Ød shank	Part number
12mm	NER3200120
1/2"	NER3200127
13mm	NER3200130
14mm	NER3200140
16mm	NER3200160
18mm	NER3200180
20mm	NER3200200

ER40

Ød shank	Part number
3mm	NER4000030
4mm	NER4000040
5mm	NER4000050
6mm	NER4000060
1/4"	NER4000063
8mm	NER4000080
3/8"	NER4000095
10mm	NER4000100
12mm	NER4000120

Ød shank	Part number
1/2"	NER4000127
13mm	NER4000130
14mm	NER4000140
16mm	NER4000160
18mm	NER4000180
20mm	NER4000200
22mm	NER4000220
24mm	NER4000240
25mm	NER4000250
30mm	NER4000300



	ER20	ER25	ER32	ER40
ØD	21mm	26mm	33mm	41mm
L1	31.5mm	35mm	40mm	46mm

Ød = cutter shank diameter

Collet shank sizes

The ER collet series was designed to be compressible. Often marked with two sizes, the larger dimension is the machined bore size.

Cutter life and cutting performance are reduced when the collet size does not **exactly** match the cutter shank. Therefore if a collet is marked, for example 6-5, it should only be used for cutters of 6mm shank and not any smaller.



wealdentool.com

Sales: 01580 890500 Fax: 01580 890222 Email: sales@wealdentool.com

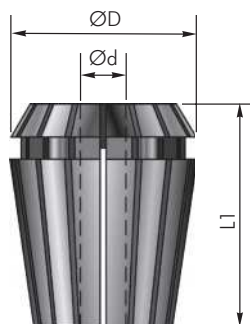


OZ COLLETS & ASSEMBLY DEVICES

OZ25 Series collets

High precision collets for Perske type SYOZ series tool holders.
Manufactured to DIN6388/A.

Ød shank	Part number
3mm	NRT2500030
5mm	NRT2500050
6mm	NRT2500060
1/4"	NRT2500063
8mm	NRT2500080
3/8"	NRT2500095
10mm	NRT2500100
12mm	NRT2500120
1/2"	NRT2500127
14mm	NRT2500140
16mm	NRT2500160
20mm	NRT2500200
25mm	NRT2500250



OZ25
 ØD 35mm
 L1 52mm
 Ød = cutter shank diameter

Tool holder assembly device

Heavy duty holder used to assemble and dis-assemble tooling.
The bi-directional clutch safely and firmly grips tool holders without damage.
May be mounted vertically onto a workbench.

Part Number	Toolholder series	Toolholder diameter
NAD1030	ISO30	50mm
NAD1063	HSK63	63mm



wealdentool.com

Sales: 01580 890500 Fax: 01580 890222 Email: sales@wealdentool.com





4grip COLLETS ER SERIES

4 grip ER Collets series 20-25-32-40

High precision collets for EN series tool holders. Manufactured to DIN6499/B.

ER20

Ød shank	Part number
8mm	NEQ2000080

4grip collets offer better cutter grip for lower noise levels and increased cutter life.

These collets require greater clamping force, as they are more rigid and therefore **MUST** only be used in conjunction with ball bearing nuts.

ER25

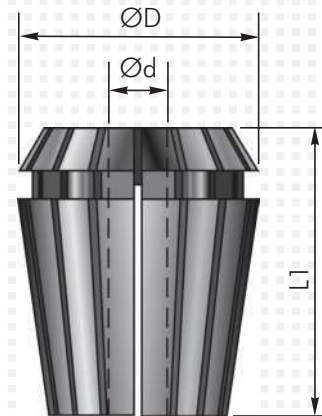
Ød shank	Part number
6mm	NEQ2500060
1/4"	NEQ2500063
8mm	NEQ2500080
3/8"	NEQ2500095
10mm	NEQ2500100

ER32

Ød shank	Part number
6mm	NEQ3200060
1/4"	NEQ3200063
8mm	NEQ3200080
3/8"	NEQ3200095
10mm	NEQ3200100
12mm	NEQ3200120
16mm	NEQ3200160

ER40

Ød shank	Part number
6mm	NER4000060
1/4"	NER4000063
8mm	NER4000080
3/8"	NER4000095
10mm	NER4000100



	ER20	ER25	ER32	ER40
ØD	21mm	26mm	33mm	41mm
L1	31.5mm	35mm	40mm	46mm

Ød = cutter shank diameter

Collet shank sizes

The ER collet series was designed to be compressible. Often marked with two sizes, the larger dimension is the machined bore size.

Cutter life and cutting performance are reduced when the collet size does not **exactly** match the cutter shank. Therefore if a collet is marked, for example 6-5, it should only be used for cutters of 6mm shank and not any smaller.



wealdentool.com

Sales: 01580 890500 Fax: 01580 890222 Email: sales@wealdentool.com



TOOL HOLDERS & NUTS

HSK63-F tool holders

Precision CNC tool holders supplied **without nuts or collets**. Nuts and collets should be ordered separately if required.

Part Number	ØD	C1	C2	Collet series
NTK3201R	40mm	60mm	18mm	ER32
NTK3214R	40mm	87mm	18mm	ER32
NTK4002R	50mm	60mm	18mm	ER40
NTKOZ25R	50mm	60mm	18mm	OZ25



ISO30 tool holders

Precision CNC tool holders supplied **without nuts, collets or pull studs**. Nuts, collets & pull studs should be ordered separately if required.

Part Number	ØD	C1	C2	Collet series
NTS3201R	40mm	33mm	8mm	ER32
NTS3202R	40mm	51mm	8mm	ER32
NTS4007R	50mm	39mm	8mm	ER40



Nuts for tool holders

Precision nuts for CNC tool holders. All nuts are balanced and the ER32 and ER40 nuts are available as standard or ball bearing type.

Part Number	Collet series	Nut type
NNS20R	ER20	Standard
NNB20R	ER20	Ball bearing
NNS25R	ER25	Standard
NNB25R	ER25	Ball bearing
NNS32R	ER32	Standard
NNB32R	ER32	Ball bearing
NNS40R	ER40	Standard
NNB40R	ER40	Ball bearing
NZS25R	OZ25	Standard
NZB25R	OZ25	Ball bearing



wealdentool.com

Sales: 01580 890500 Fax: 01580 890222 Email: sales@wealdentool.com



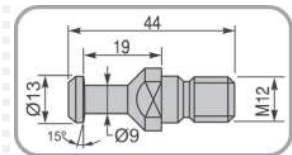


PULL STUDS & WRENCHES

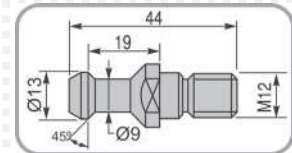
Pull studs for tool holders

The pull stud is the critical link between the tool holder and spindle. Pull studs must always be fully tightened into the tool holder, checked periodically and replaced if worn or damaged. These are not certified as original manufacturers' products.

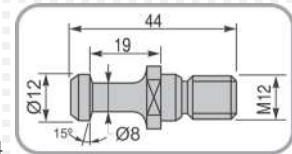
Part Number	ISO type	Thread	Usage
NPS111	ISO30	M12	Busellato, Weeke, Bulleri, Maka
NPS113	ISO30	M12	Alberti, Vitap, Masterwood
NPS114	ISO30	M12	Esseteam
NPS115	ISO30	M12	CMS
NPS118	ISO30	M12	Biesse (post 1992), Masterwood



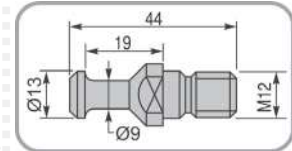
NPS111



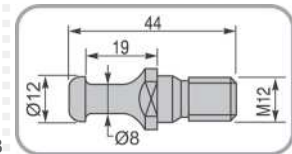
NPS113



NPS114



NPS115

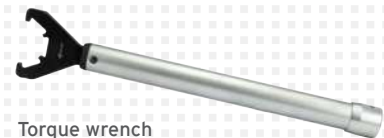


NPS118

Wrenches for ER slotted nuts

Standard steel wrenches with moulded handgrip for ER slotted nuts. In addition to the standard wrenches, torque wrenches are available for ER25, ER32 and ER40 nuts. These ensure the correct torque on the nut to maximise the clamping force on the cutter shank without overtightening, which can damage the collet. Each wrench has two settings: one for cutter shanks from 1mm to 7mm and the other for cutter shanks over 7mm.

Part Number	Collet series	Torque up to 7mm shank	Torque over 7mm shank
NWC20	ER20	-	-
NWC25	ER25	-	-
NWC32	ER32	-	-
NWC40	ER40	-	-
NWC60	OZ25	-	-
NWT25	ER25	55Nm	90Nm
NWT32	ER32	70Nm	130Nm
NWT40	ER40	120Nm	200Nm



Torque wrench



wealdentool.com

Sales: 01580 890500 Fax: 01580 890222 Email: sales@wealdentool.com



PRODUCT INDEX

Part No.	Page	Part No.	Page	Part No.	Page	Part No.	Page	Part No.	Page	Part No.	Page	Part No.	Page	Part No.	Page
DD5050R	56	DS57028R	58	K69420	19	NDR3900202	57	NER4000200	59	NWC60	63	T4CL6350M	3	T8AD600BZ2	16
DD510013	58	DS57030L	58	K69421	19	NDR3900303	57	NER4000220	59	NWT25	63	T4D3000	2	T8AD800CZ2	16
DD510016	58	DS57030R	58	NA142500516	40	<u>NDR3900404</u>	57	NER4000240	59	NWT32	63	T4D3175	2	T8AD800DZ1	16
DD519020	57	DS57032L	58	NA142500816	40	NDR3900505	57	NER4000250	59	NWT40	63	T4D3967	2	T8AS800CZ2	17
DD519030	57	DS57032R	58	NA142501016	40	NEQ2000080	61	NER4000300	59	T1403S	18	T4D4000	2	T8AU400AZ2	15
DD519040	57	DS57035L	58	NA142501216	40	NEQ2500060	61	NEW3200080	61	T1404S	18	T4D4762	2	T8AU600BZ2	15
DD519050	57	DS57035R	58	NA1584020	45	NEQ2500063	61	NEW3200095	61	T1405S	18	T4D5000	2	T8AU800BZ2	15
DD57030L	56	DS57040L	58	NA1584040	45	NEQ2500080	61	NFIRT144014	14	T1406.4S	18	T4D6000	2	T8AU800CZ1	15
DD57030R	56	DS57040R	58	NA1584060	45	NEQ2500095	61	NFIRT164016	14	T1406S	18	T4D6350	2	T8C8000	3
DD57040L	56	DS70015L	58	NA1584100	45	NEQ2500100	61	NNB20R	62	T1407.5S	18	T4U3000	1	T8C8000M	3
DD57040R	56	DS70015R	58	NA1632002	39	NEQ3200060	61	NNB25R	62	T1407S	18	T4U3175	1	T8D5000	2
DD57050L	56	DS70016L	58	NA1632003	39	NEQ3200063	61	NNB32R	62	T1408.5S	18	T4U3967	1	T8D6000A	2
DD57060L	56	DS70016R	58	NA1632004	39	NEQ3200100	61	NNB40R	62	T1408S	18	T4U4000	1	T8D6000B	2
DD57060R	56	DS70018L	58	NA1632005	39	NEQ3200120	61	NNS20R	62	T1C3000	3	T4U4762	1	T8D8000B	2
DD57070L	56	DS70018R	58	NA1632006	39	NEQ3200160	61	NNS25R	62	T1C4000	3	T4U5000	1	T8D8000C	2
DD57070R	56	DS70020L	58	NA1641050	28	NEQ4000060	61	NNS32R	62	T1C5000M	3	T4U6000	1	T8D8000S	2
DD57075L	56	DS70020R	58	NA1641060	28	NEQ4000063	61	NNS40R	62	T1D3000L	2	T4U6350	1	T8U5000	1
DD57075R	56	DS70025L	58	NA1642080	27	NEQ4000080	61	NP76124127	55	T1D3000L	2	T4UB6350	5	T8U6000A	1
DD57080L	56	DS70025R	58	NA1651616	14	NEQ4000095	61	NPA4430012	54	T1U3000L	1	T5905	45	T8U6000B	1
DD57080R	56	DS70026L	58	NA17060160	41	NEQ4000100	61	NPC11212025	50	T1U3000L	1	T5DC308080L	8	T8U8000B	1
DD57095L	56	DS70026R	58	NA176203010	22	NER2000030	59	NPC11212035	50	T1U5000	1	T5DC310100	8	T8U8000C	1
DD57095R	56	DS70030L	58	NA1842030	23	NER2000032	59	NPC12016025	50	T1UB3000	5	T5DC312120	8	T8UB8000	5
DD57100L	56	DS70030R	58	NA1842050	23	NER2000040	59	NPC12016035	50	T2C1270	3	T5DC312120X	8	T8UR8000A	6
DD57100R	56	DS70035L	58	NA1852052	24	NER2000050	59	NPC12016044	50	T2C1270M	3	T5DC314140X	8	T8UR8000B	6
DD57120L	56	DS70035R	58	NA18522042	26	NER2000060	59	NPC12016052	50	T2D1000B	2	T5DC316160X	8	T9C1000	3
DD57120R	56	DS70040L	58	NA18522062	26	NER2000063	59	NPC12018025	50	T2D1200C	2	T5DC318180X	8	T9C1000XM	3
DD57150L	56	DS70040R	58	NA186506220	43	NER2000080	59	NPC12018035	50	T2D1270A	2	T5DC320200	8	T9D8500	2
DD57150R	56	DV57040L	56	NA186507420	43	NER2000095	59	NPC12018044	50	T2D1270C	2	T5DC320200X	8	T9UR1000A	6
DD57160L	56	DV57040R	56	NA186508620	43	NER2000100	59	NPC12018052	50	T2D1270E	2	T5UC208060	7	T9UR1000B	6
DD57160R	56	DV57050L	56	NA1871628	29	NER2000120	59	NPC12020025	50	T2D9525	2	T5UC308080L	7	TD1408S	18
DD57170L	56	DV57050R	56	NA1882008	33	NER2000127	59	NPC12020035	50	T2U1000B	1	T5UC310100	7	TE10801030	18
DD57170R	56	DV57060L	56	NA1882010	33	NER2000130	59	NPC12020044	50	T2U1000L	1	T5UC312120	7	TE11312050	18
DD70030L	56	DV57060R	56	NA1882012	33	NER2500030	59	NPC12020052	50	T2U1200C	1	T5UC313120X	7	TE11312730	18
DD70030R	56	DV57080L	56	NA1882015	33	NER2500032	59	NPD112080010	53	T2U1200L	1	T5UC314140X	7	TE11312750	18
DD70040L	56	DV57080R	56	NA1882020	33	NER2500040	59	NPD11210010	53	T2U1270A	1	T5UC316160X	7	TE11314050	18
DD70040R	56	DV57100L	56	NA1892050	32	NER2500050	59	NPS111	63	T2U1270C	1	T5UC318180L	7	TE11318030	18
DD70050L	56	DV57100R	56	NA1892075	32	NER2500060	59	NPS113	63	T2U1270E	1	T5UC318180X	7	TGC051745	4
DD70050R	56	DV57120L	56	NA1892100	32	NER2500063	59	NPS114	63	T2U1270G	1	T5UC320200	7	TGC062250	4
DD70060L	56	DV57120R	56	NA1892125	32	NER2500080	59	NPS115	63	T2U7937	1	T5UC320200X	7	TGC082260	4
DD70060R	56	DV70040L	56	NA1902005	38	NER2500095	59	NPS118	63	T2U9525	1	T6C6000M	3	TGC083260	4
DD70063L	56	DV70040R	56	NA1911316	19	NER2500100	59	NRT2500030	60	T2UB1270A	5	T6D6000	2	TP1C4000RM	11
DD70063R	56	DV70050L	56	NA1912006	38	NER2500120	59	NRT2500050	60	T2UB1270L	5	T7D214140B	2	TP1C5000RM	11
DD70075L	56	DV70050R	56	NA1912008	38	NER2500127	59	NRT2500060	60	T2UR1270A	6	T7D216160B	2	TP2C12005M	11
DD70075R	56	DV70060L	56	NA1912010	38	NER2500130	59	NRT2500063	60	T2UR1270B	6	T7D310100B	10	TP2C1270RM	11
DD70080L	56	DV70060R	56	NA1912015	38	NER2500140	59	NRT2500080	60	T2UR1270E	6	T7D312120B	10	TP3C9525RM	11
DD70080R	56	DV70075L	56	NA1912019	35	NER2500160	59	NRT2500095	60	T3C9525	3	T7D312120C	10	TP3C95255M	11
DD70095L	56	DV70075R	56	NA1912019	37	NER3200030	59	NRT2500100	60	T3C9525M	3	T7D316160B	10	TP3D9525B	13
DD70095R	56	DV70100L	56	NA1912027	37	NER3200040	59	NRT2500120	60	T3D9525	2	T7D316160X	10	TP4C6350RM	11
DD70100L	56	DV70100R	56	NA1921336	30	NER3200050	59	NRT2500127	60	T3S5030	34	T7D320200A	10	TP6C6000RM	11
DD70100R	56	DV70120L	56	NA1932015	36	NER3200060	59	NRT2500140	60	T3S5045	34	T7D320200B	10	TP8C8000LM	11
DD70120L	56	DV70120R	56	NA1942058	47	NER3200063	59	NRT2500160	60	T3S5090	34	T7DL316260X	10	TP8C8000RM	11
DD70120R	56	F69403	19	NA2651616	14	NER3200080	59	NRT2500200	60	T3S6060	34	T7U214140B	1	TP8C8000SM	11
DD70127L	56	K69150	20	NA6171420	48	NER3200095	59	NSC11208019	51	T4660	19	T7U216160B	1	TP8D6000A	13
DD70127R	56	K69151	20	NA7100316	46	NER3200100	59	NSC11208021	51	T4661-8	19	T7U310100B	9	TP8D8000A	13
DG7035050R	56	K69152	20	NA7600804	34	NER3200120	59	NSC11208025	51	T4662	19	T7U312120B	9	TP9C1000RM	11
DG7035055R	56	K69153	20	NA7600806	34	NER3200127	59	NSC11210025	51	T4663-8	19	T7U312120C	9	TP9C1000SM	11
DS57015L	58	K69154	20	NA7600809	34	NER3200130	59	NSC11210033	51	T4667	19	T7U316160B	9	TP9D1000R	13
DS57015R	58	K69155	20	NA8073200	25	NER3200140	59	NSC11212027	51	T4668-8	19	T7U316160X	9	TS1406S	18
DS57016L	58	K69156	20	NA8073220	25	NER3200160	59	NSC11616030	51	T4674	19	T7U318180X	9	TSC20303010	4
DS57016R	58	K69157	20	NA8710061	31	NER3200180	59	NSC21616030	51	T4675-8	19	T7U320200A	9	TSC20404010	4
DS57017L	58	K69158	20	NAD1030	60	NER3200200	59	NST10606020	52	T4AD400AZ2	16	T7U320200B	9	TSC20606020	4
DS57017R	58	K69400	19	NAD1063	60	NER4000030	59	NST10808020	52	T4AD600BZ2	16	T7U320200X	9	TSC20808025	4
DS57018L	58	K69401	19	NCU0301203	49	NER4000040	59	NT140360200	44	T4AS635AZ2	17	T7U325250A	9	TSC21010020	4
DS57018R	58	K69402	19	NCU0401404	49	NER4000050	59	NT15600200	44	T4AS635CZ1	17	T7UR1600D	6	TSC21010032	4
DS57020L	58	K69404	19	NCU0501705	49	NER4000060	59	NTK3201R	62	T4AS635CZ2	17	T7UR1600G	6	TSC21212040	4
DS57020R	58	K69405	19	NCU0602206	49	NER4000063	59	NTK3214R	62	T4AS635CZ2	17	T820-1/2	36	TV3C9525RM	12
DS57022L	58	K69406	19	NCU0602706	49	NER4000080	59	NTK4002R	62	T4AS800CZ1	17	T8208-8	36	TV4C6350RM	12
DS57022R	58	K69407	19	NCU0802208	49	NER4000095	59	NTS3201R	62	T4AU300AZ2	15	T8214-8	36	TV6C6000RM	12
DS57024L	58	K69408	19	NCU0803208	49	NER4000100	59	NTS3202R	62	T4AU400AZ2	15	T8217-1/2	36	TV8C8000LM	12
DS57024R	58	K69409	19	NCU1003210	49	NER4000120	59	NTS4007R	62	T4AU600BZ2	15	T8225-1/2	36	TV8C8000RM	12
DS57025L	58	K69410	19	NCU1203212	49	NER4000127	59	NV88400200	37	T4AU630AZ1	15	T8542-1/2	42	TV8C8000SM	12
DS57025R	58	K69411	19	NDL3900202	57	NER4000130	59	NWC20	63	T4AU630BZ1	15	T8545-1/2	42	TV9C1000RM	12
DS57026L	58	K69412	19	NDL3900303	57	NER4000140	59	NWC25	63	T4C6350	3	T8547-1/2	42		
DS57026R	58	K69416	21	NDL3900404	57	NER4000160	59	NWC32	63	T4C6350M	3	T8550-1/2	42		
DS57028L	58	K69417	21	NDL3900505	57	NER4000180	59	NWC40	63	T4C6350M	3	T8AD400AZ2	16		



for the latest additions, prices and information see
www.wealdentool.com



Wealden Tool Company Limited

2, Clinton Business Centre
Lodge Road
Staplehurst
Kent TN12 0QF

Telephone: 01580 890500
Fax: 01580 890222
Email: sales@wealdentool.com