

APPLICATION DETAILS

This precision jointing set features highly accurate taper finger cutters combined with an abutting edge cutter to produce accurate joints with a long glue line and wide edge butt joints for a clean finish. The set may be used in any hand or stationary router with a ½" collet and a power output of at least 750 watts.

CUTTER ASSEMBLY

The cutter can be used to join timber from 11mm to 36mm in thickness; the table below shows the number of fingers to be used to suit the thickness being joined. Refer to the assembly details overleaf for the cutter assembly sequence, noting that the spare 3.4mm spacers and all shims are located on the arbor below the abutting cutter. When assembling the cutter, ensure that the cutter blades are staggered to even out the cutting load on both the routing machine and cutter assembly, and that the cutting tips face the rotation direction. In normal use the shims supplied are not used, however if an especially *tight joint* is required then add one shim (0.05mm or 0.10mm) between each cutter. If the cutter is resharpened, the fit can similarly be adjusted using the shims.

TIMBER THICKNESS		NUMBER of FINGERS (finger + 3.4mm spacer)
minimum	maximum	
11mm	16mm	1
16mm	21mm	2
21mm	26mm	3
26mm	31mm	4

MACHINING THE JOINT

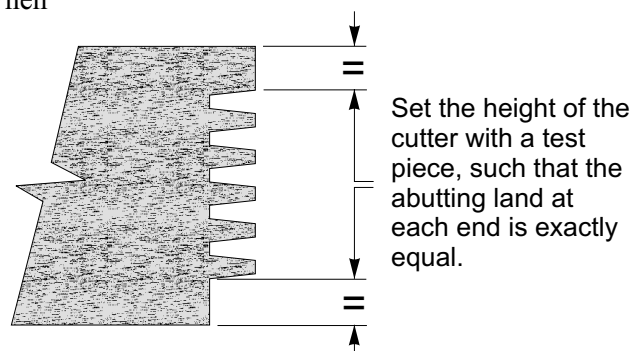
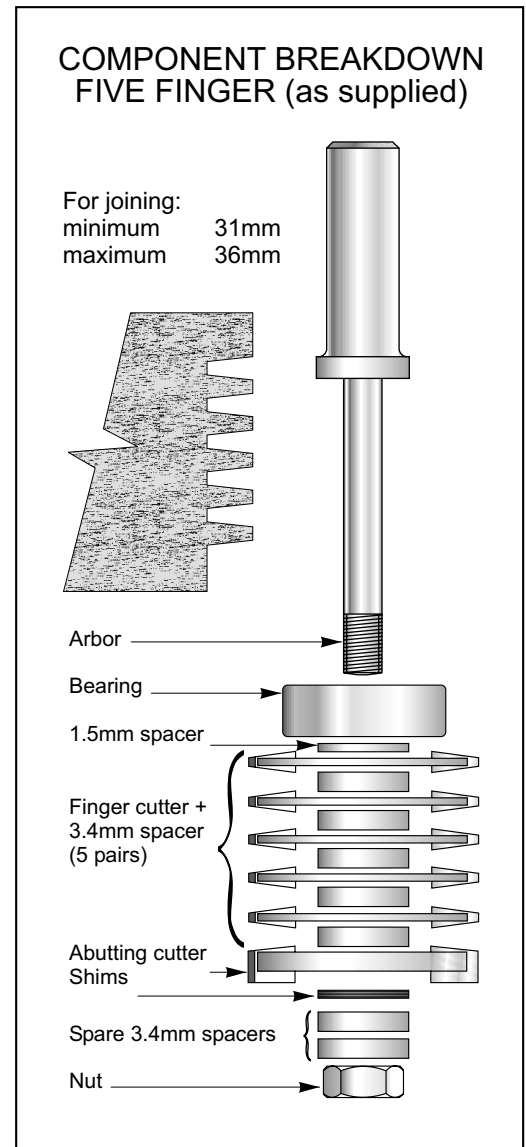
Careful preparation of the timber will ensure the best results. The pieces to be joined should be planed to the same thickness and the edges machined straight and square.

Make a setting-up cut on some scrap timber prepared to the same thickness and adjust the height of the cutter such that the abutting widths are the same (see illustration below).

Jointing may be carried out on a router table, however a good sized table is required with a wide in and out feed area to ensure accuracy. When jointing long boards it may be easier to use the cutter freehand. When machining the parts to be joined, it must be remembered that both boards are machined the same way up and then one board is turned over to make the joint. This must be taken into consideration when selecting the good face of the board.

N.B. The abutting edge cutter is designed to be 0.2mm undersized in comparison to the finger cutters. This ensures that the abutting edges of the joint meet tightly whilst leaving a clearance for the glue between the fingers.

FINGER JOINTING SET

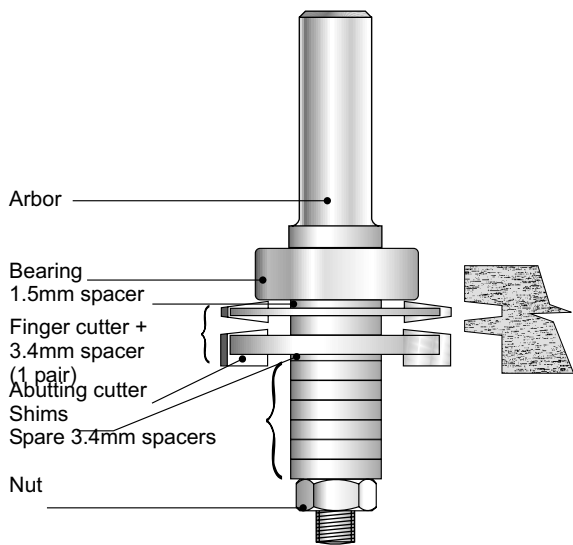


CUTTER ASSEMBLY DETAILS

FINGER JOINTING SET

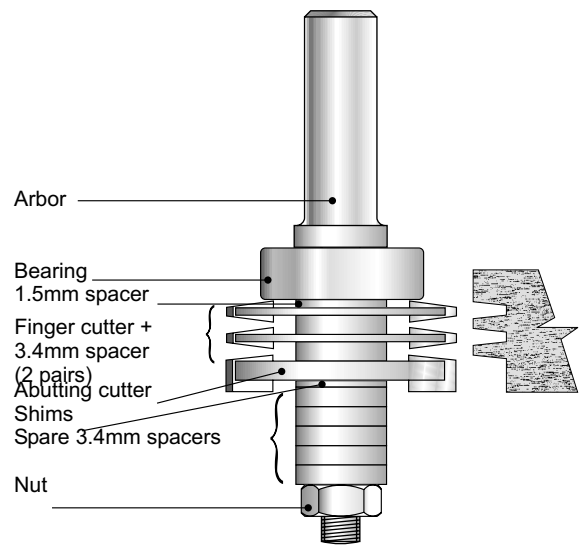
ONE FINGER ASSEMBLY

For joining: minimum 11mm
maximum 16mm



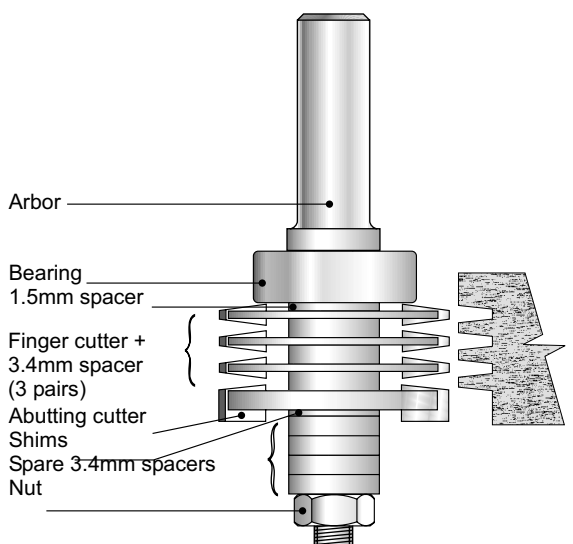
TWO FINGER ASSEMBLY

For joining: minimum 16mm
maximum 21mm



THREE FINGER ASSEMBLY

For joining: minimum 21mm
maximum 26mm



FOUR FINGER ASSEMBLY

For joining: minimum 26mm
maximum 31mm

